

# CONTRACOR®

**EN** Blast Cabinets

## CAB-110P/CAB-135P

OPERATING AND MAINTENANCE MANUAL

Version 4.2

**DE** Strahlkabinen

BETRIEBSANLEITUNG

Version 4.2

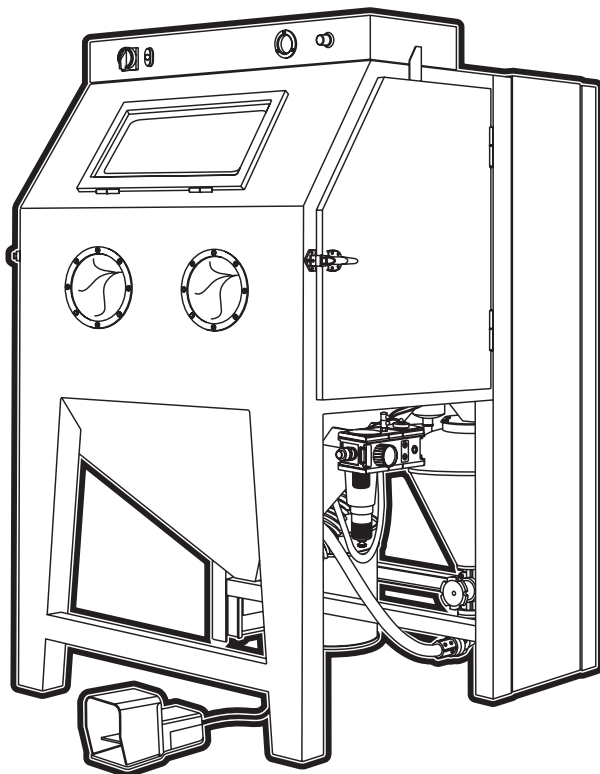
Seite 48

**RU** Кабина абразивоструйная

РУКОВОДСТВО ПО ЭКСПЛУАТАЦИИ

Версия 4.2

стр. 95





# Table of contents

EN

<b>1. Safety</b>	<b>4</b>
<b>2. Package and description</b>	<b>5</b>
<b>3. General information</b>	<b>11</b>
<b>4. Set-up, operation and shut-down</b>	<b>14</b>
<b>5. Maintenance</b>	<b>21</b>
<b>6. Troubleshooting</b>	<b>29</b>
<b>7. Replacement parts</b>	<b>33</b>



## **ATTENTION!**

**READ AND FULLY UNDERSTAND THIS MANUAL BEFORE STARTING WORK.**

**THE FOLLOWING INFORMATION IS IMPORTANT FOR SAFETY AND HEALTH OF OPERATOR AND PERSONNEL IN VICINITY.**



## **ATTENTION!**

**BUYING THE MACHINE, PLEASE, REQUEST TO FILL IN THE GUARANTEE CARD CORRECTLY!**

**FAILURE TO PRODUCE A FILLED-IN FORM WILL MAKE YOUR GUARANTEE INVALID.**

# 1. Safety

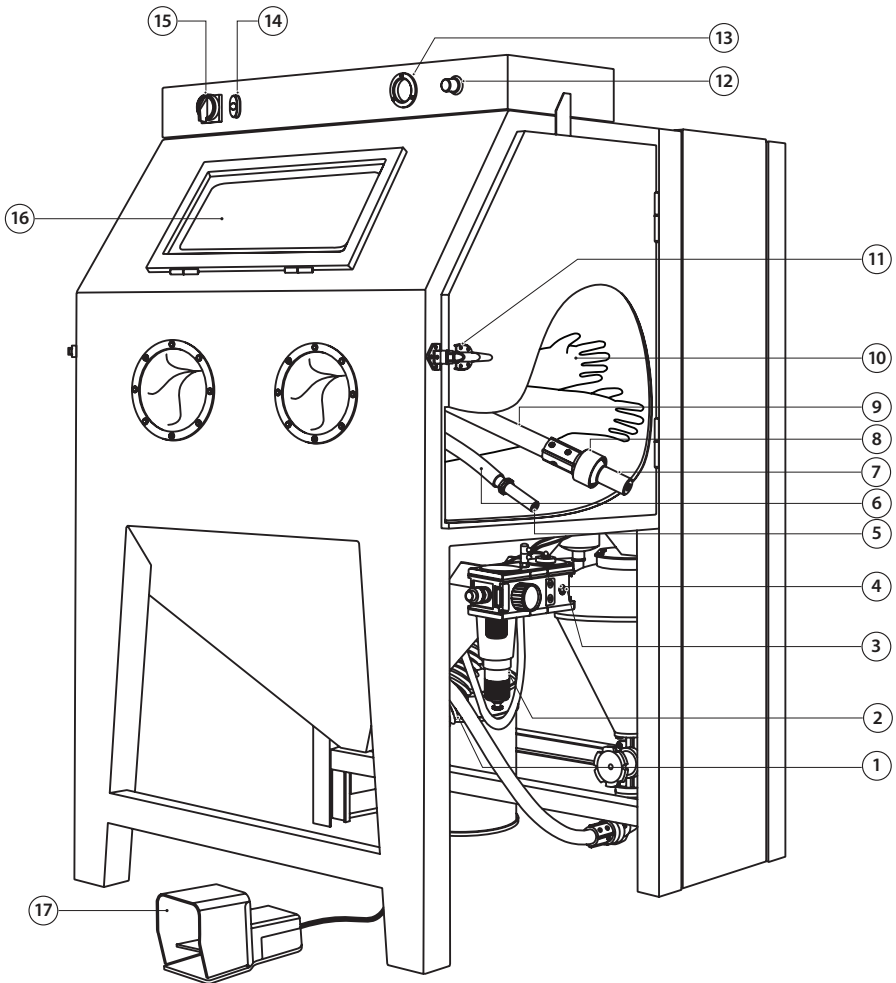


## ATTENTION!

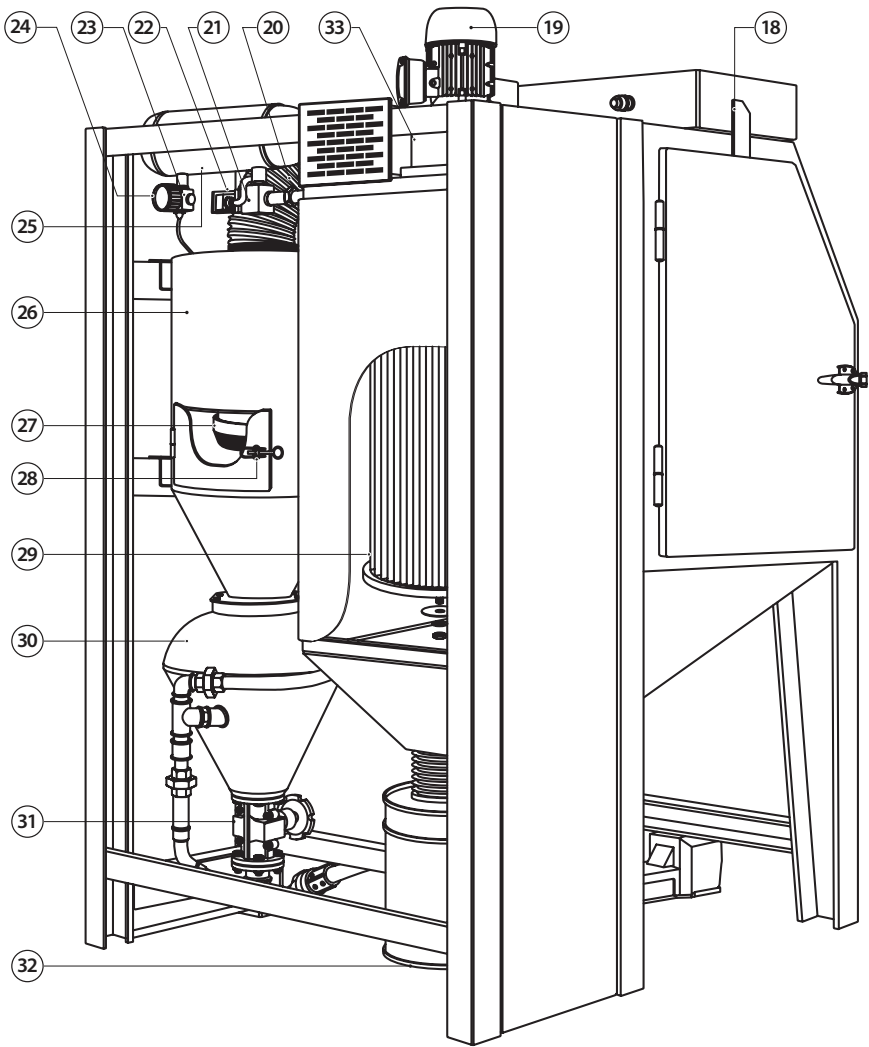
### **SAFETY MEASURES FOR BLAST CABINET OPERATION.**

- 1. You must wear protective gloves during abrasive blasting.**
- 2. Do not use worn or damaged equipment during operation.**
- 3. Point the nozzle only at the area to be cleaned. Never point the nozzle toward the cabinet windows.**
- 4. Use only dry well-sieved abrasive materials, appropriate for abrasive blasting operations.**
- 5. Before starting of blast cabinet operation you must:**
  - Ensure that gloves, gaskets, hoses and fittings are not worn;**
  - Fix hose couplings with wire, if the couplings are used;**
  - Ensure that the cabinet is grounded;**
- 6. During blasting process all doors on the cabinet, reclaimer or dust collector must be closed.**
- 7. After blasting, before the doors are opened and exhauster is switched off, use the blow nozzle to blow media from the blasted parts.**
- 8. Do not open the doors or switch off exhauster before the cabinet is clear of abrasive dust.**

## 2. Package and description



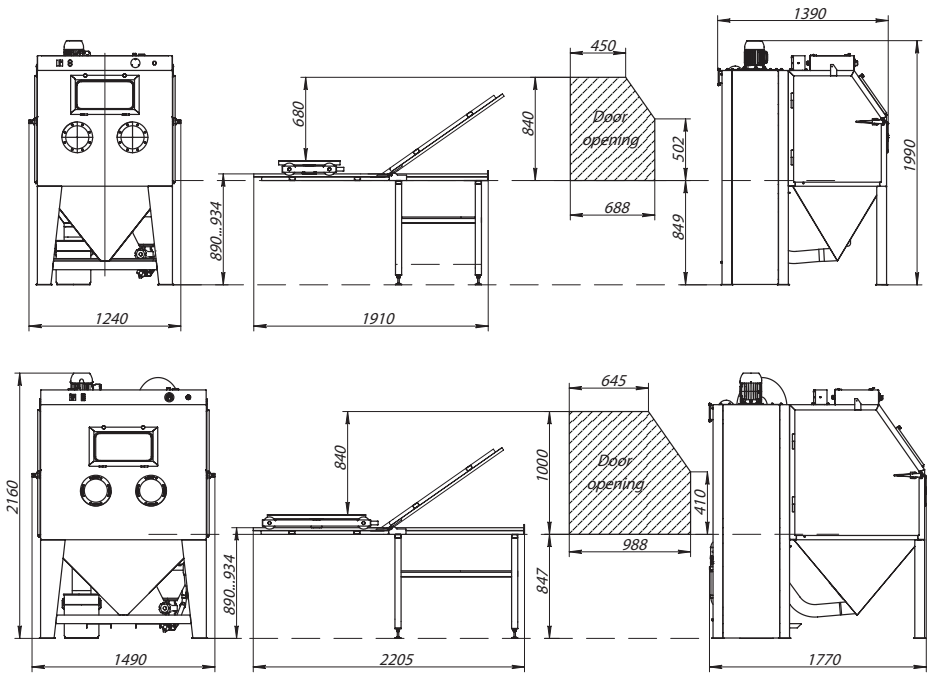
**Picture 2.0.1.** Cabinet components overview CAB-110P/135P (Front view)



**Picture 2.0.1.** Cabinet componets overview CAB-110P/135P (Back view)

Pos. No	Description
1	Conveying hose Ø 100
2	Airline Filter
3	Pressure regulator, pilot operated

4	Pressure gauge
5	Air blow-off nozzle, rubber
6	Rubber hose for air blow-off nozzle
7	Blast nozzle
8	Nozzle holder
9	Blast hose I.D. 19 mm
10	RGS Blast cabinet gloves
11	Cabinet door latch
12	Pressure regulator, working pressure
13	Panel mounting pressure gauge, working pressure
14	Double pushbuttons ON / OFF
15	Main switch O-I
16	Viewing window (assembly)
17	Pneumatic foot pedal
18	Door interlock
19	Electric motor
20	Ventilation hose Ø 150
21	Diaphragm pulse-jet valve
22	Electronic timer for pulse-jet valve
23	Pressure regulator, pulse-jet cleaning
24	Pressure gauge
25	Pulse-jet cleaning manifold
26	Reclaimer assembly R-350 / R-400
27	Screen
28	Reclaimer door latch
29	Filter cartridge
30	Blast machine 25/50 liter
31	SGV metering valve
32	Dust container
33	Impeller for DC-1100 / 1500



**Picture 2.0.3.** Blast cabinet overall dimensions CAB-110P/135P



## 2.1. Package

Table 2.1

Order code	Model	Description, package
10215205	CAB-110P	<p>BLAST CABINET, COMPLETE SYSTEM, CONSIST</p> <ul style="list-style-type: none"> <li>- Cabinet Enclosure</li> <li>- Cyclone reclaimer R-350</li> <li>- 25 liter blast machine</li> <li>- Cartridge Dust Collector DC-1100 15/5000 (see. Table 2.2.)</li> </ul> <p>STANDARD DELIVERY:</p> <ul style="list-style-type: none"> <li>- Quality 800 mm blast gloves with inner fabric lining</li> <li>- 19x33 mm blast hose with coupling/nozzle holder</li> <li>- Tungsten carbide venturi nozzle STC-6.5</li> <li>- SGV metering valve</li> <li>- Main airline filter with 5<math>\mu</math> filtration grade</li> <li>- Pilot regulated blast pressure</li> <li>- Door safety interlocks</li> <li>- Pulse cleaned cartridge filter</li> </ul> <p>Electrical connection 1,10 kW, 380V, 3 phase, 50Hz            Working chamber size (W x D x H) 1100 x 800 x 840            Weight, 380 kg            Noise level, 80 .. 120 dB (2000/14EC)            Standard load capacity, 350 kg</p>
10215206	CAB-135P	<p>BLAST CABINET, COMPLETE SYSTEM, CONSIST</p> <ul style="list-style-type: none"> <li>- Cabinet Enclosure</li> <li>- Cyclone reclaimer R-400</li> <li>- 50 liter blast machine</li> <li>- Cartridge Dust Collector DC-1500 (see. Table 2.2.)</li> </ul> <p>STANDARD DELIVERY:</p> <ul style="list-style-type: none"> <li>- Quality 800 mm blast gloves with inner fabric lining</li> <li>- 19x33 mm blast hose with coupling/nozzle holder</li> <li>- Tungsten carbide venturi nozzle STC-6.5</li> <li>- SGV metering valve</li> <li>- Main airline filter with 5<math>\mu</math> filtration grade</li> <li>- Pilot regulated blast pressure</li> <li>- Door safety interlocks</li> <li>- Pulse cleaned cartridge filter</li> </ul> <p>Electrical connection 1,50 kW, 380V, 3 phase, 50Hz            Working chamber size (W x D x H) 1350 x 1100 x 1070            Weight, 480 kg            Noise level, 80 .. 120 dB (2000/14EC)            Standard load capacity, 350 kg</p>

**Table 2.2**

	Filtering media	Filtering surface, m <sup>2</sup>	Fan power, kW	Fan capacity, m <sup>3</sup> /h	Fan pressure, Pa
CAB-110	Polyester	7,5	1,1	1050	1950
CAB-135	Polyester	11	1,5	1150	2250

# 3. General information

## 3.1. General information

Blast cabinet production rates depend upon the size of the nozzle, the capacity of the compressor, the working pressure, the type and size of abrasive media and the distance between the nozzle and the area to be cleaned.

Contracor pressure-type blast cabinets are made up of four main elements:

1. A robust, welded steel cabinet enclosure,
2. A cyclone reclaimer for best possible efficiency in controlling media recycling,
3. A 25 or 50 liter blast machine with a durable SGV metering valve,
4. A dust collector consisting of a highly efficient fan and pulse-cleaned cartridge filter.

## 3.2. Theory of operation

When the air supply is on, and the cabinet doors are closed, the blast machine is ready for operation by actuating the foot pedal. Only by fully depressing the pedal is the machine pressurized and blast media are propelled through the nozzle.

After striking the object being blasted, the blast media, along with fines, dust, and by-products generated by blasting, fall through the mesh work table into the cabinet hopper. These particles are drawn into the reclaimer for separation.

Dust and fines are first separated from the reusable blast media. Next, the media is screened of oversize particles, and held in the reclaimer hopper for reuse. At the same time, dust and fines are drawn through the reclaimer into the dry filter or dust collector, which traps the dust and discharges clean air. By releasing the foot pedal the machine is depressurized and blasting stops, allowing blast media to recollect in the machine.

The dust collector filter cartridge is cleaned by pulsation of high-velocity compressed air expanding against the inner surface of the cartridge. An electronic timer controls the intervals between the pulses. The expanding air momentarily reverses airflow through the cartridge to release dust which has gathered on the outer surface. The dust falls off of the cartridge and into the hopper for later disposal.

### 3.3. Air jet diameter and required compressed air volume

The blast machine pressure vessel is manufactured according to European CE regulations, as described in attached CE Certificate of conformity. The owner must ensure and maintain the integrity of the vessel, as may be required in some countries.



#### **ATTENTION!**

**Excessive air pressure could cause the media chamber to rupture. To prevent serious injury or death, do not exceed the rated pressure of the media chamber vessel.**

After having ensured that the air supply is activated and the cabinet doors are closed, the media chamber can be actuated by the foot pedal. By pressing the foot pedal, the inlet valve is opened and the outlet valve is closed, resulting in the chamber being pressurized and the blasting beginning. By releasing the foot pedal, the chamber is depressurized and blasting stops.

The standard nozzle delivered with the blast cabinet is a tungsten-carbide nozzle with a 6.5mm orifice. In addition, 5.0 and 8.0mm nozzles are available. The maximum diameter of the orifice under normal conditions is determined by the size of the reclaimer, as shown in Table 3.1 below. Normal conditions are moderate part contamination, media breakdown, flow and size, and damper setting.

**Table 3.1** Max. nozzle size

Reclaimer type	Max. nozzle size, mm
R-350	6,5
R-400	8,0

### 3.4. Blast media

Contracor cabinets utilize most common media, 1,50 mm and coarser that is specifically manufactured for dry blasting.

The usable media mesh size and nozzle size are based on typical media flow. Rich media flow or low static pressure will reduce the mesh and nozzle size that may be used.

**Steel blast media:** Still grit or shot can be limited used with CAB-110P and CAB-135P cabinets (max. mesh size ca. 0,80 mm). Exact max. media mash is depended from materials specific weight and grains geometry and should be determined with practical tests run by users. Rubber curtains should be used to protect the cabinet walls from rapid wear .

**Sand and Slag:** Sand should never be used because of the respiratory hazards associated with the use of using media containing free silica.



## ATTENTION!

**Abrasive blasting with sands containing crystalline silica can cause serious or fatal respiratory disease.**

Slags are not recommended because they rapidly breakdown.

**Aluminum Oxide, Silicon Carbide, and Garnet:** Aggressive media such as these may be used but consideration should be given to accelerated wear on any part of the cabinet, reclaimer, nozzle and hoses which comes in contact with the media.

In case of using of an aggressive blast media a tungsten carbide nozzle have to be used. Service life of the tungsten carbide nozzle lasts 10 to 20 times longer than ceramic.

**Glass Beads:** Most beads have been treated to ensure free-flow operation even under moderately high humidity conditions. Glass beads subjected to excessive moisture may be reused after thorough drying and breaking up of any lumps.

### 3.5. Compressed air quality

Condensed water from the compressed air is reduced by the air filter at the air inlet connection. Use of the air filter is of particular importance in areas of high humidity or when fine-mesh media are being used. Dampness can cause media to clot, restricting free flow through the feed assembly. An air dryer may be necessary if moisture problems continue.

### 3.6. Compressed Air Requirements

The required air compressor capacity is determined by the blast nozzle size and pressure.

**Table 3.2** Air Consumption

Ø Blast nozzle (mm)	REQUIRED AIR VOLUME (m <sup>3</sup> /min.) at working pressure, bar			
	3	4	5	6
5,0	0,7	0,8	0,9	1,0
6,5	1,3	1,5	1,7	1,9
8,0	2,0	2,5	2,0	3,3

NOTE: the above table shows only the air required for the blast nozzle. Additional air is required for the air cartridge cleaning, which must be added to the above values.

The above values are valid for nozzles when new. As nozzle wear increases, so does the air consumption, up to 70% to 80% more than when new.

## 4. Set-up, operation and shut-down

### 4.1. Installation and Set-up

#### 4.1.1 Location

Select a location where compressed air, water and electrical service are available. Allow for full access to all doors and service areas and for efficient handling of large parts.

#### 4.1.2 Compressed air supply line

Connect compressed air supply line with min. I.D. =1". to the cabinet inlet. For connection use a flexible hose with same min. I.D. as the main airline. A smaller diameter air supply line or hose may reduce blasting efficiency.



### **ATTENTION!**

**Be certain that all pipe fittings and hose clamps are tight before using the blast cabinet. Hose disconnection while under pressure could cause serious injury.**

#### 4.1.3 Grounding

Ground the cabinet to prevent static electricity build up. For grounding attach an external grounded wire to the grounding lug on the cabinet skirt.

#### 4.1.4 Electrical power connection



### **ATTENTION!**

**All electrical work must be carried out by a qualified electrician according to the national and local standards.**

A wiring schematic is supplied with the cabinet. After wiring is completed, check the motor rotation by momentarily turn switch on and off. The motor will slowly turn. Check the rotation of the motor fan through the slots in the motor housing. The fan should rotate clockwise when viewed from the fan end to the motor.



### **ATTENTION!**

**Do not look into the reclaiming exhaust outlet while the exhauster is turning. Injury to the eye or face could occur from objects being ejected from the exhauster.**

#### 4.1.5 Cabinet static pressure

Cabinet static pressure must be set to match the cabinet dimensions and reclaiming sizes. Open the inlet damper further to decrease static pressure or close it further to increase pressure.

Use the gloves as an indicator of right cabinet static pressure. With the exhauster on, the gloves should be inflated, but not elevated off the grate.

#### 4.1.6 Foot pedal

Position the foot pedal on the floor at the front of the cabinet for easy accessibility. Blast cabinet is designed for one-person operation. Be sure you can quickly remove your foot from the pedal in an emergency.

## 4.2. Blasting operation

#### 4.2.1 Media loading

With the exhauster off, add clean dry media, by pouring it into the reclaiming hopper through the reclaiming door. Do not fill past the cone on the reclaiming.

Do not pour media directly into the cabinet hopper, as overfilling may occur.

Overfilling will result in media carryover to the dust collector and possibly blockage in the conveying hose. Refill only after all media has been recovered from the cabinet.

**Table 4.1** The minimum amount of media to charge the system is as follows

CAB-110P	CAB-135P
20 kg	40 kg

#### **4.2.2 Unloading Media**

To empty media out of the blast cabinet, pressure must first be reduced to 3bar. Then place an empty container on the grate of the cabinet. Remove nozzle and washer from nozzle holder, close the door and choke valve, and depress the foot pedal.

Media flow is to be directed into the container until full. Repeat as often as necessary until the machine is empty. Whilst handling the container, local Operational Health and Safety regulations are to be observed. When the machine is empty, return the choke valve to the fully open position. Inspect and clean the threads on nozzle holder and nozzle before reinstalling nozzle washer and nozzle.

#### **4.2.3 Parts loading and unloading**

Parts may be loaded and unloaded through either door. Blasted parts must be free of oil, water, grease, or other contaminants that will clog media or filters. By closing the door, be certain that the door is sealed securely or door interlock system will prevent blasting.

#### **4.2.4 Blasting operation**



### **ATTENTION!**

**Always close cabinet, reclaimer and dust collector doors before blasting.  
Keep all doors closed during blasting.**

**Always wear blast gloves.**

**Avoid pointing the blast nozzle toward the view window.**

**Use the blow-off nozzle to blow media off parts before opening doors.**

**After blasting, keep doors closed and exhauster on until the cabinet is clear of all airborne dust.**

**Stop blasting immediately if dust leaks are detected.**



Turn on the compressed air supply to the blast cabinet. Inspect for air leaks during the initial start up

Set the pulse pressure regulator to 4,5 bar (see Picture 2 for location).

Turn the on/off switch to t “I” to activate the lights and filter pulse cleaning.

Push the “ON” button to turn on the exhauster.

Put on the rubber gloves.

Grasp the blast nozzle firmly and step on the pedal. Blasting will start immediately.

Set blast pressure using the pilot regulator located on the control panel.

The pressure gauge on the control panel indicates the actual blast pressure.

Smooth, continuous strokes are the most effective blasting technique. The size of the blast pattern is affected by the distance from the part. The nozzle is usually positioned approximately 70 to 150mm from the surface of the part.



## ATTENTION!

**Shut down the cabinet immediately if dust discharges from the collector. Check that filters are correctly seated and not worn or damaged. Prolonged breathing of any dust could result in serious lung disease or death. Short term ingestion of toxic dust such as lead, poses an immediate danger to health. Toxicity and health risk vary with dust generated by blasting. Identify all material being removed by blasting, and obtain a material safety data sheet for the media.**

The dust collector pulsates automatically according to the timer settings while the blast cabinet is in operation. Prolonged periods of blasting or dirty conditions may necessitate an adjustment of the timer settings.

### 4.2.5 Stop blasting operation and shut-down

To stop blasting, remove pressure on the foot pedal.

Use the Air blow-off nozzle to blow media off cleaned parts. Allow the exhauster to clean the cabinet of airborne dust before opening the door and unload the parts.

Push button OFF to switch off the exhauster.

Turn on/of switch to the position "0" to switch off the lights and filter pulse cleaning. Shut off the air supply to the blast cabinet and drain air filter.

## 4.3. Adjusting

### 4.3.1 Blasting pressure

The pilot pressure regulator, located on the control panel of the cabinet, enables the user to adjust the blasting pressure to suit the application.

The suitable pressure for most purposes is around 5-6 bar. Lower pressures may be required on delicate substrates, and will reduce media breakdown. Higher pressure may be required for difficult blasting jobs on durable substrates, but will increase media break down.

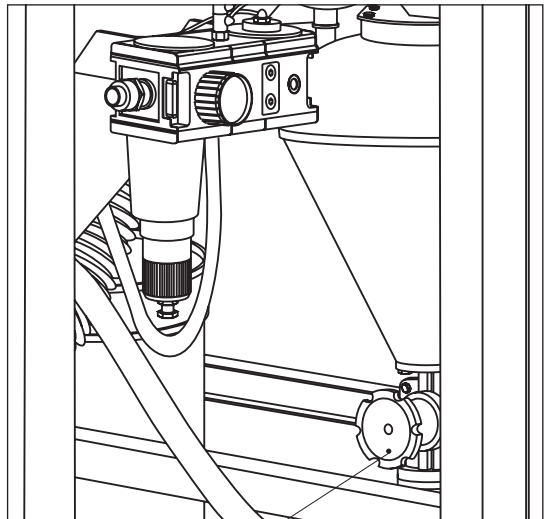
In all cases, highest production can only be achieved when pressure is carefully monitored.

Adjust air pressure by turning the knob on the pilot regulator located on the front of the control panel. Pull the knob out, and turn clockwise to increase pressure or counterclockwise to decrease. Once operating pressure is set, push the knob in to lock.

### 4.3.2 Media metering

Media volume flow is adjusted by the metering valve at the foot of the blast machine. Close metering valve SGV by rotating the handle clockwise. To increase the flow of media, rotate the handle counterclockwise. Wait for the flow to stabilize before further regulation. The maximum flow rate is reached when the handle is in the full left position. Adjust flow rate according to type and size of blast media, blasting pressure, and the task at hand, ensuring to use as little media as possible whilst still maintaining a high cleaning

**Picture. 4.3.2.** Metering valve adjustment



**Adjusting handle**

pace. The correct mixture of air and abrasive can generally be distinguished by a slight discoloration at the exit of the nozzle.

### **4.3.3 Reclaimer static pressure**

Correct static pressure varies with size of reclaimer and the size, weight and type of media. Adjust reclaimer static pressure by opening (handle horizontal) or closing (handle vertical) the damper on the dust collector inlet.

If the damper is not opened enough, the reclaimer will not remove fines, resulting in dusty media, poor visibility, and possible media blockage in the conveying hose. If the damper is opened too far, it may cause carryover (usable media carried into the dust collector) and result in excessive media consumption. Open only as far as necessary to obtain a balance of dust removal without media carryover.

### **4.3.4 Cabinet static pressure**

Once the inlet is initially set per section 4.1.5, it seldom requires readjustment. The initial setting produces approximately 50% to 75% of static pressure in the cabinet enclosure. For adjustment open the inlet damper further to decrease static pressure or close it further to increase pressure.

Use the gloves as an indicator of right cabinet static pressure. With the exhauster on, the gloves should be inflated, but not elevated off the grate.

### **4.3.5 Door Interlocks**

The door interlocks disable the blasting control circuit when the doors are open. To enable blasting, the door interlock switches must be engaged when the doors are closed. The interlocks are set at the factory and do not usually require field adjustment unless parts are replaced.

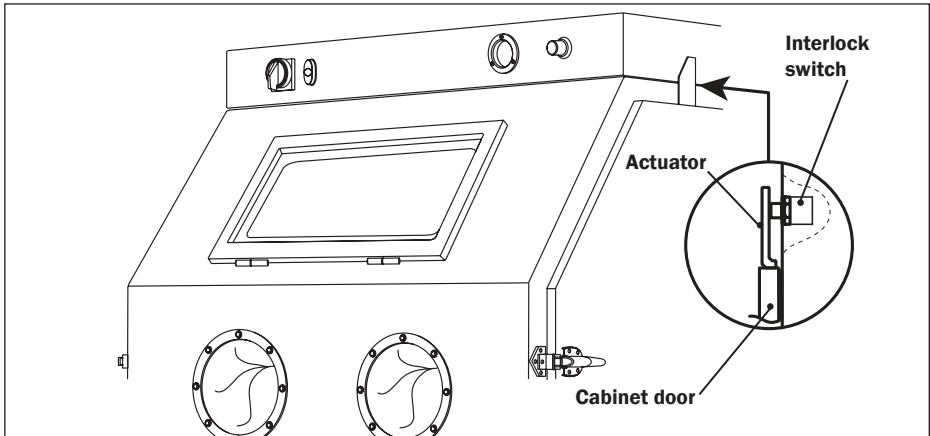


## **ATTENTION!**

**Never attempt to override the interlock system.**

**Doing so could result in injury from unexpected blasting.**

To adjust the actuator, bend it by hand as required for engaging the switch by full closed door.



**Picture 4.3.5.** Actuator adjustment

Test the operation with the doors both open and closed. Point the nozzle away from the door when it is tested, and only open the door enough to disengage the interlock switch. The interlocks should stop the blasting when the doors are opened, and permit blasting when the doors are closed.

**NOTE:** Negative pressure inside the cabinet may cause the doors to flex inward. Tests should be performed with the exhauster on.

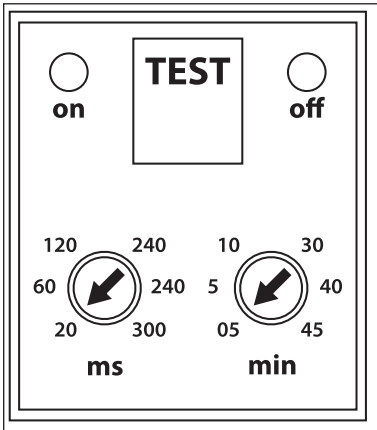
#### **4.3.6 Pulse pressure**

Adjust pulse pressure using the regulator mounted on the pulse manifold. Begin pulse pressure setting at 4,5 bar.

When pulsing alone does not adequately clean the cartridge, increase pulse pressure by 0,5 bar increments up to max. 6,0 bar. Increasing pulse pressure over 6,0 bar may cause damaging of the cartridge filter.

If after pressure increasing, dust cakes on the cartridges and differential pressure increase, adjust cycling of the pulses.

### 4.3.8 Timer



**Picture 4.3.8.**Pulse time and cycling adjustment

Adjust pulse time and cycling on the timer (see Picture 2 for location).

Use ON scale to adjust the pulse length and OFF scale to adjust the time period between the pulses.

Begin setting is as follows:

**Pulse length** (ON scale) - 60 ms (by 4.5 bar pulse pressure)

**Time between pulses** (OFF scale) - 5 min

## 5. Maintenance

### 5.1. Preventive Maintenance

#### 5.1.1 SGV Metering Valve

The SGV metering valve must be regularly inspected for wear. To prolong the life of the valve, inspect the internal rubber lining regularly for wear and replace when necessary.

#### 5.1.2 Dust container

Empty the dust container regularly. Start by checking the container at least daily or when adding media, then adjust frequency based on usage, contamination and friability of the media.

### **5.1.3 Reclaimer debris screen**

The screen is accessible through the reclaimer door. With the exhauster off, remove the screen and empty it daily or when loading media. Empty the screen more often if parts being blasted causes excessive debris. Do not operate the machine without the screen in place.

### **5.1.4 Airline filter**

The cabinet is equipped with a manual drain airline filter.

Drain the airline filter at least once a day, more often if required, or if water mist is seen coming out the nozzle.

Moist air inhibits the flow of media. If moisture continues to be present, a refrigerated air dryer may be required.

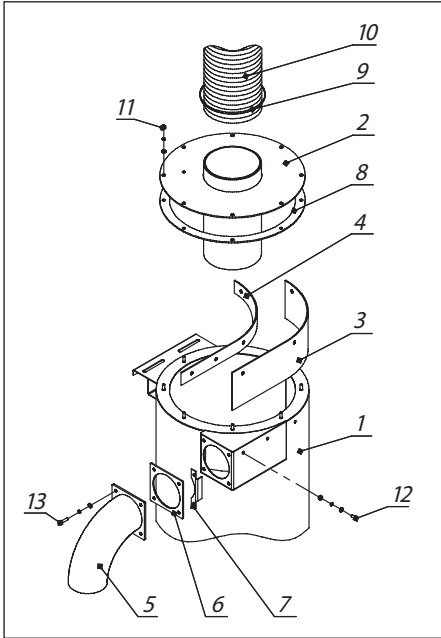
### **5.1.5 Media Hose**

To avoid unscheduled down-time, inspect the media hose for thin spots, especially along an outside radius.

### **5.1.6 Blast Hose and Couplings**

Check blast hose for excessive wear, particularly on the outside radius, to prevent punctures. Check couplings and coupling gaskets for leakage and wear.

### 5.1.7 Changing the rubber shield of the reclaimer



**Picture 5.1.7.** Changing the rubber shield of the reclaimer

A rubber shield (3) is installed to prevent damage to the walls of the reclaimer (1), caused by abrasive particles when the abrasive-air mixture enters the reclaimer. It should be regularly inspected for wear and damage. Loosening the clamp (9), unscrew the hose (10) from the flange (2), loosen the nuts (11) and remove the flange (2) from the reclaimer (1). Inspect the condition of the rubber shield (3). To change the shield, unscrew the bolts (12) (13), and remove the shield (3), the strip (4), the tightening piece (7) and the pipe bend (5). Reassemble the reclaimer in the reverse order, replacing the gaskets (8)(6) if required.

## 5.2. Service maintenance

### 5.2.1 Gloves

Special static-dissipating gloves have been provided for operator comfort. It will be necessary to change gloves periodically as they wear. The first sign of deterioration may be excessive static shocks. Gloves are held in place by metal clamps on the inside of the cabinet. To replace, loosen the clamps with a screwdriver, replace the gloves, and tighten the clamps.

### 5.2.2 Nozzle

The nozzle should be replaced when its diameter has increased by a maximum of 2mm (or earlier if pressure diminishes significantly).

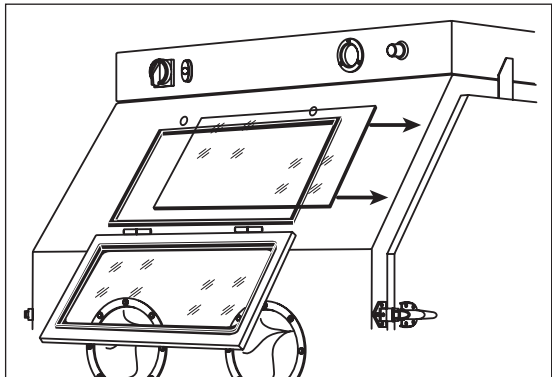
Make sure the nozzle gasket is in place before screwing the nozzle into the nozzle holder.

### 5.2.3 Disposable window replacement

Remove the two window frame nuts located on the upper edge of the window frame, and swing the window frame open.

Through the door opening, push the disposable window from the back to remove from the front.

Inspect the window frame gaskets, both on the window frame and on the cabinet. If either gasket is damaged, replace it per section 5.2.5.



**Picture 5.2.3.** Disposable window replacement

### 5.2.4 Viewing window replacement



## ATTENTION!

**Do not use plate glass for replacement view windows. It could shatter on impact and cause severe injury.**

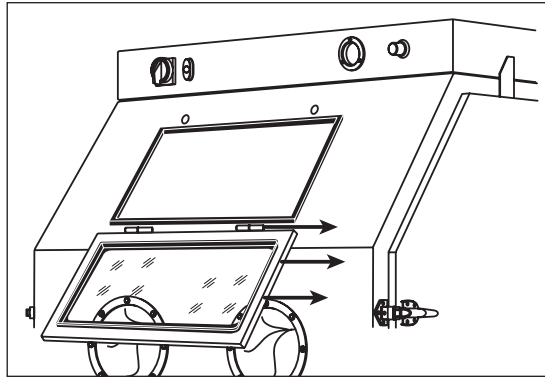
**Use only original manufacturer approved laminated safety glass.**

Remove the two window frame nuts located on the upper edge of the window frame, and swing the window frame open.

Remove the window to prevent breakage (Picture 7).

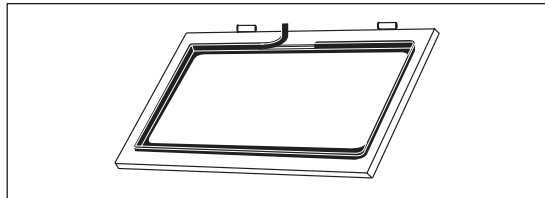


**Picture 5.2.4.1.** Windows frame removal



Remove the old window by pulling the window molding. Install the window molding in the window opening by fitting the narrow slit of the molding over the metal edge of the opening.

**Picture 5.2.4.2.** Viewing window replacement



The molding ends should meet in the middle of the straight section of the opening. Molding should be compressed so the ends are tightly sealed.

Working from the front, install the view window into the wide slit of the molding.

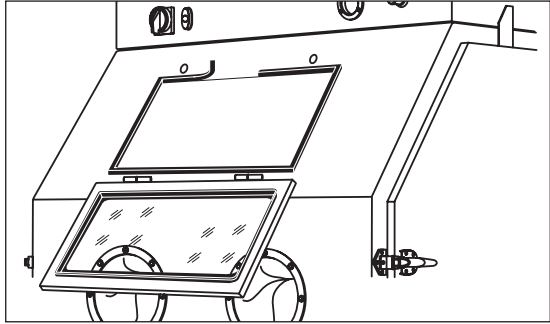
### **5.2.5 Window gasket replacement**

Replace the window frame gasket and cabinet window opening gasket at the first sign of media leakage around the view window, or if gaskets appear damaged.

Check the gaskets when changing the view window. Remove the viewing window and window frame per Section 5.2.4. Remove all the old gasket material and clean the surfaces of the cabinet and window frame.

Peel a short section of adhesive backing from the 3x15 mm strip gasket, and adhere the gasket to the center of the top edge of the window opening as shown in Picture 9. Peel additional backing as needed, and work the strip around the radius of each corner, pressing it tightly to bond. Trim the gasket to fit and compress the ends to seal.

**Picture 5.2.5.** Window gasket replacement



### 5.2.6 Filter cartridge replacement



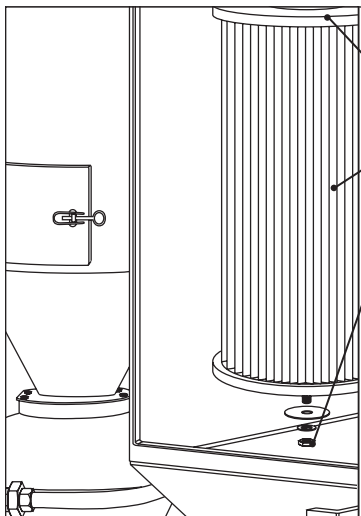
## ATTENTION!

**Failure to wear approved respirators and eye protection when servicing dust-laden areas of the cabinet and dust collector, and when emptying the dust collector could result in serious eye irritation and lung disease or death.**

**Toxicity and health risk vary with type of media and dust generated by blasting.**

**The respirator must be approved for the type of dust generated.**

**Identify all material being removed by blasting, and obtain a material safety data sheet for the blast media.**



**Picture 5.2.6.** Filter cartridge replacement

**Cartridge sealing gasket**

**Filter cartridge**

**Wing nut**

Close the air supply to the cabinets and bleed all air from the pulse manifold.

Unscrew the wing nuts and remove the dust collector door. Remove the cartridge retaining nut, washer, and gasket.

To remove the cartridge, slide it straight down until it clears the holding bar.

Clean all parts that will be reused, especially around the cartridge sealing area. Scrape off any residual gasket material from the sealing surface.

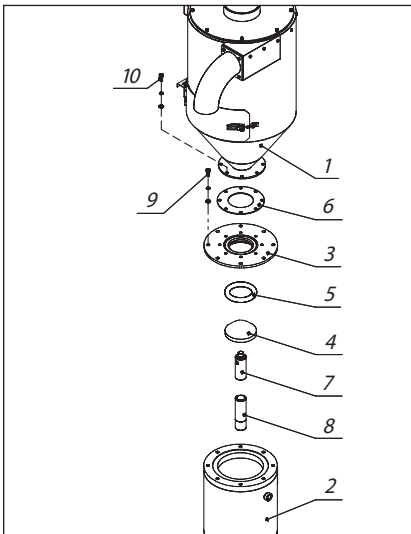
Install the new cartridge and gasket. Tighten the retaining nut until the cartridge cannot be moved by hand. Tighten the nut one additional full turn.

Check the collector door gasket for any condition that will prevent the gasket for sealing. Replace the gasket if necessary. Attach the dust collector door in place. Season the cartridge per section 5.2.7.

### 5.2.7 Filter cartridge seasoning

New cartridges must be seasoned. Cartridges are seasoned by letting a dust cake develop on the filter media before starting the pulsing cycles. To stop the pulse, turn the pulse regulator off (to 0 bar). Operate the cabinet without pulsing for about two hours, or until visibility decreases, which ever comes first. At that point turn the pulse regulator to 4,5 bar, to start the pulsing cycle.

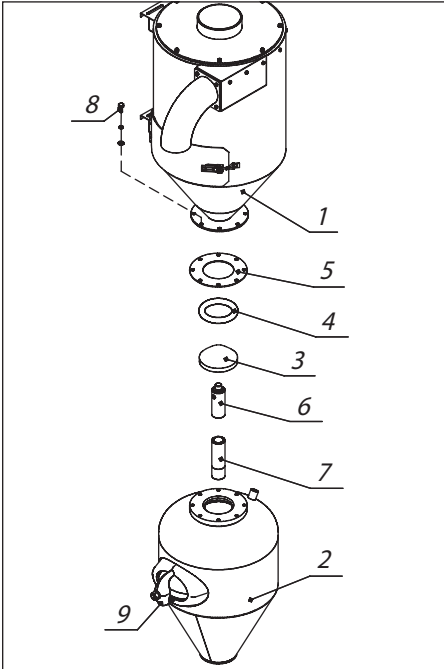
### 5.2.8 Pop-up Valve and O-ring replacement CAB-110



**Picture 5.2.8.** Pop-up Valve and O-ring Replacement CAB-110

To change the pop-up valve (4) and O-ring (5), the flange of the blast vessel (3) has to be disconnected from the flange of the reclaimer (1). To this end, unscrew the bolts (10) and carefully disconnect the blast vessel (2) via the flange (3) from the reclaimer (1). Inspect the O-ring (5) for wear and damage. If necessary, replace it by using a flat-head screwdriver to remove the worn seal. Unscrew the bolts (9) and remove the flange (3) from the blast vessel (2). Remove the pop-up valve (4) and guide (7) from the pipe (8), and then unscrew the pop-up valve (4) from the guide (7). Screw the new pop-up valve (4) onto the guide (7), and reassemble and install the blast vessel in the reverse order, replacing the gasket (6) if required.

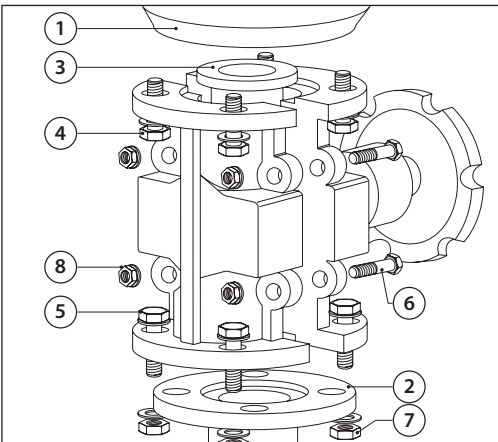
## 5.2.8 Pop-up Valve and O-ring replacement CAB-135



**Picture 5.2.8.** Pop-up Valve and O-ring Replacement CAB-135

To change the pop-up valve (3) and the O-ring (4), the blast vessel (2) has to be disconnected from the reclaimer (1). To this end, unscrew the bolts (8) and carefully disconnect the blast vessel (2) from the reclaimer (1). Check the O-ring (4) for wear and damage. If necessary, replace it by using a flat-head screwdriver to remove the worn seal. Unscrew the nut from the access door (9) and, by holding the cover of the access door by the threaded portion, remove the cover from the access door. Via the access door, unscrew the pipe (7) holding the guide (6) and pop-up valve (3), and carefully remove these components from the blast vessel (2). Unscrew the pop-up valve (3) from the guide (6). Screw the new pop-up valve (3) onto the guide (6), and reassemble and install the blast vessel in the reverse order, replacing the gasket (5) if required.

## 5.2.10 SGV metering valve rubber pipe replacement



The rubber piping inside the SGV metering valve is subjected to abrasion and wear during blast cabinet operation, and must be replaced when worn.

**Picture 5.2.10.** SGV valve rubber pipe replacement

To replace the rubber piping, loosen cap screws on upper flange (4) and disconnect the SGV valve from the blast vessel (1). Loosen nuts (7) from cap screws (5) on bottom flange (2), and release the SGV valve from flange. Loosen nuts (8) from cap screws (6) and pull the valve open. Remove and replace the old rubber pipe. Reassemble SGV valve and blast machine in reverse order.

## 6. Troubleshooting



### ATTENTION!

**To avoid serious injury, observe the following when troubleshooting.**

- . Turn off the air, and lock out and tag out the air supply.**
- . If checking the controls requires air, always enlist the aid of another person to:**
  - Hold the nozzle securely.**
  - Operate the foot pedal.**
  - . Never bypass the foot pedal or wedge it in the operating position.**
  - . Never override the door interlock system.**

### 6.1. Poor visibility

**6.1.1** Poor visibility may be due to dirty filter cartridge. Empty the dust container regularly. Inspect and replace the cartridge if necessary.

**6.1.2** Motor rotating backwards. The motor should rotate as indicated by the arrow on the housing. If it does not rotate in the proper direction, lockout and tag-out the power supply and switch the motor leads as shown on the motor plate.

**6.1.3** Using soft media that rapidly breaks down, or using media that is too fine or worn out can cause poor visibility.

**6.1.4** Outlet damper closed too far restricting air flow in cabinet. Adjust static pressure per Section 4.3.4.

**6.1.5** Inlet damper requires opening. Restrictions at the inlet damper reduces air movement in the cabinet. Open damper per Section 4.3.4.

**6.1.6** Hole worn in flex hose between cabinet hopper and reclaimer inlet, or reclaimer outlet and dust collector inlet. Replace hose and route it with as few bends as possible to prevent wear.

**6.1.7** Reclaimer door open. Reclaimer door have to be closed during the cabinet operating.

**6.1.8** Check for obstruction in flex hose between the cabinet hopper and reclaimer inlet.

## **6.2. Abnormally high media consumption**

**6.2.1** Reclaimer door open, not in place, improper fit or worn gasket. Air entering reclaimer at this point will cause media to be carried into the dust collector. DO NOT operate system unless the door is closed.

**6.2.2** Hole worn in reclaimer, or leak in reclaimer seams. Check entire reclaimer for negative-pressure leaks.

**6.2.3** Outlet damper open too far. Adjusting static pressure in Section 4.3.4.

**6.2.4** Using soft media that rapidly breaks down, or using media that is too fine or worn out.

**6.2.5** Nozzle pressure too high for media, causing media to break down.

## **6.3. Reduction in blast cleaning rate**

**6.3.1** Low media level can diminish media flow. Inspect and fill if level is too low.

**6.3.2** Improper metering valve adjustment. Regulate according to Section 4.3.2.

**6.3.3** Reduction in air pressure. A malfunctioning regulator, a dirty filter element in the air filter, a partially closed air valve, a leaking air line or other air tools being used could be causes.

**6.3.4** The blast hose or nozzle is blocked. Blockage can be the result of a missing debris screen or incorrect metering valve adjustment allowing heavy media flow. Examine media valve adjustment according to Section 4.3.2.

**6.3.5** Worn out nozzle. Examine and replace if damaged or worn out.

**6.3.6** Worn out blast hose. Inspect the hose for leaks and soft spots. Replace if damaged or worn out.

**6.3.7** The blast media is damp. Frequent bridges or blockage near the metering valve can be caused by moisture. Refer to Section 5.1.4.

## **6.4. Plugged nozzle**

**6.4.1** A damaged or missing reclaiming screen will allow large particles to pass and block the nozzle. Replace or re-install as necessary.

**6.4.2** Media mixture too rich. Adjust media/air mixture per Section 4.3.2.

## **6.5. Air only (no media) comes out the nozzle**

**6.5.1** Ensure that media is in the machine.

**6.5.2** Check that the media metering valve is not in the fully right position.

**6.5.3** Check that the metering valve is not blocked by fully opening the metering valve and closing the choke. Depress foot pedal to exhaust any obstacles. Should the problem not be rectified by this procedure, release pressure in the machine and open metering valve and check for foreign objects.

**6.5.4** Ensure that the tubing leading to the diaphragm outlet valve is not blocked or leaking.

**6.5.5** Media metering valve requires service. Refer to metering valve operating manual.

## **6.6. Neither media nor air comes out the nozzle**

**6.6.1** Release pressure in the machine and check for obstruction in the nozzle.

**6.6.2** Check that that blast machine is pressurized by depressing the foot pedal. If this is not the case, refer to Section 6.8.

**6.6.3** Ensure that metering valve and choke are opened.

## **6.7. Blasting does not Stop when the Pedal is Released**

**6.7.1** Air should be exhausted by the 3-way valve in the pedal when released. Should this not be the case, inspect tubing for obstructions and inspect switches.

## **6.8. Blast Machine Will Not Pressurize**

**6.8.1** Ensure that the air compressor is on and the air supply valve is in the open position.

**6.8.2** Check that the air pressure regulator is set above 3 bar.

**6.8.3** Door interlocks do not engage. To adjust door interlocks, refer to Section 4.3.5.

**6.8.4** Ensure diaphragm in outlet valve is not worn.

**6.8.5** Check wear and alignment on pop-up valve and O-ring.

**6.8.6** Blocked or leaking control lines. Verify integrity of all fittings and tubing.

**6.8.7** 3-way valve in foot pedal is faulty. Check alignment of pedal and pressure in inlet and outlet tubing.

**6.8.8** Ensure that lines are correctly mounted on foot pedal or pilot regulator. For correct installation, refer to Picture 14.

## **6.9. Blast Machine Will Not Depressurize Or Depressurizes Too Slowly**

**6.9.1** Air should be exhausted by the 3-way valve in the pedal when released. Should this not be the case, inspect switch.

**6.9.2** Check the outlet rubber hose leading to the cabinet for blockage.

## **6.10. Heavy Media Flow**

**6.10.1** Ensure the choke valve is opened.

**6.10.2** Media flow may be too high. Adjust media metering valve as per Section 4.3.2. If adjusting metering valve does not control media flow, empty machine of media, depressurize and shut off and disconnect from air supply. Disassemble and inspect the flow valve for wear.

## **6.11. Media Surge: A small amount of surge is normal at start-up**

**6.11.1** Heavy media flow. Adjust per Section 6.10.

**6.11.2** Metering valve is defective. Disassemble metering valve and inspect parts for excessive wear.

## **6.12. Static shocks**

**6.12.1** Cabinet and/or operator not grounded. Abrasive blasting creates static electricity. The cabinet must be grounded to prevent static build-up. See Sections 4.1.

If shocks persist, the operator may be building up static. Attach a small ground wire (such as a wrist strap) from the operator to the cabinet.

**6.12.2** Avoid holding parts off the grating. Static will buildup in the part if not dissipated through the metal cabinet.

## **6.13. Dust leaking from dust collector**

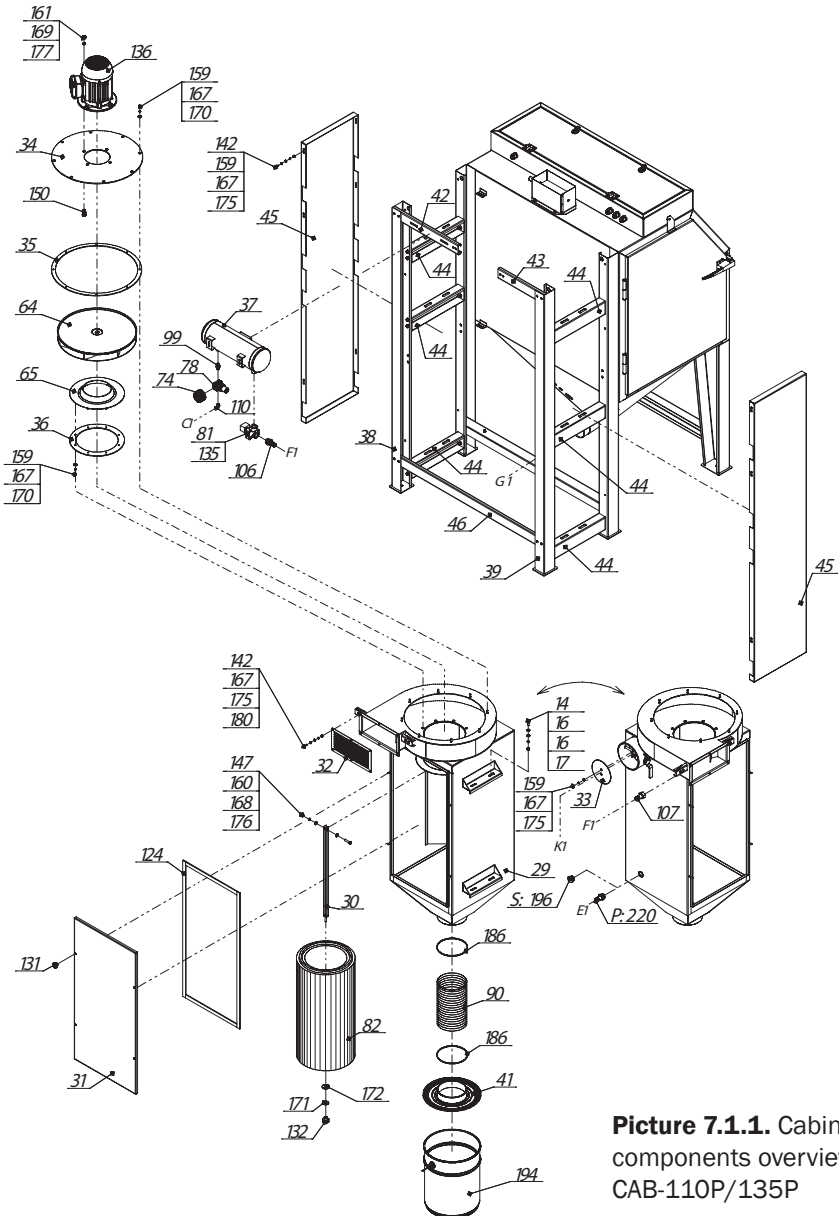
**6.13.1** Damaged or loose cartridge. Inspect filter cartridge.

**6.13.2** Faulty seal on the dust collector door. Inspect seal and replace if damaged.

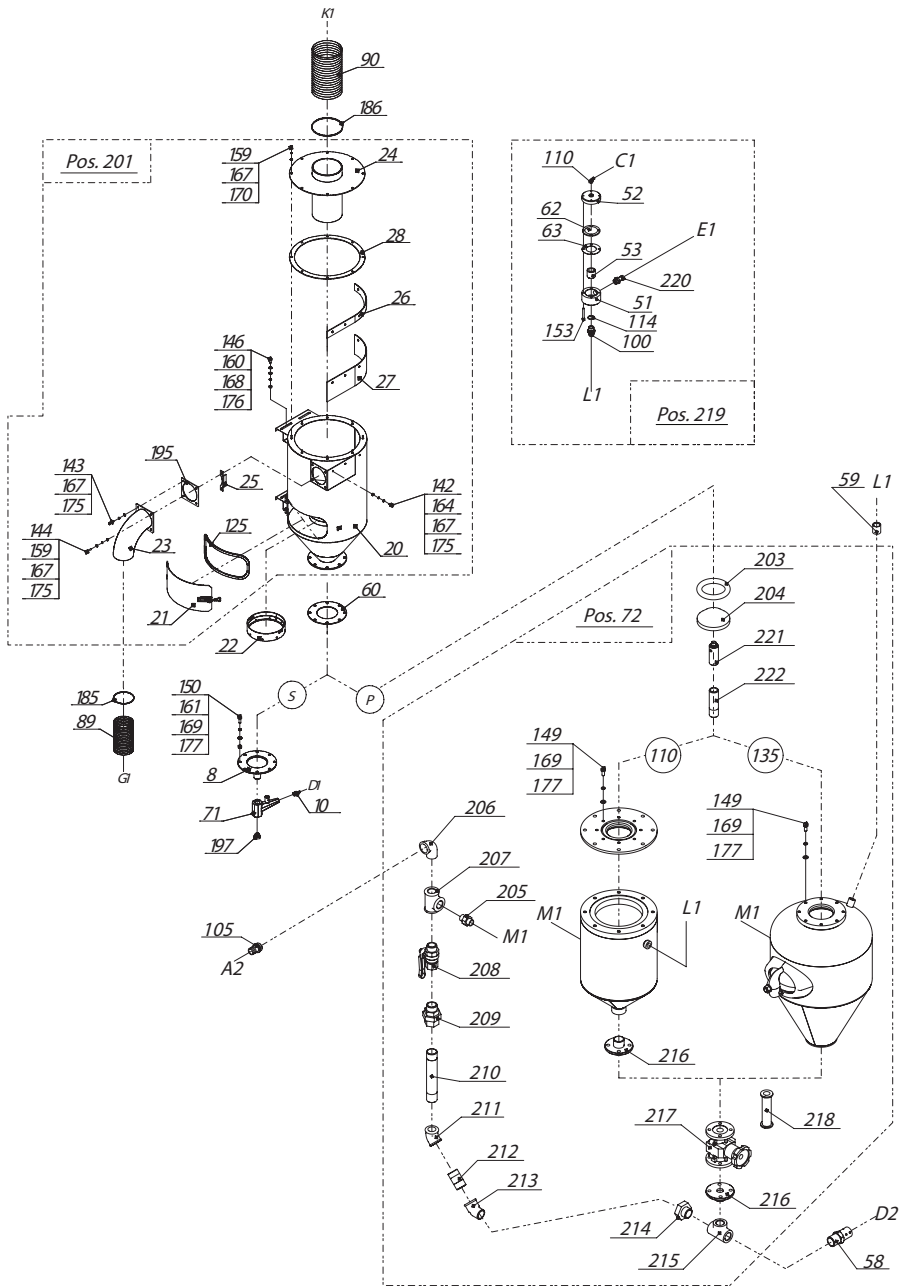


# 7. Replacement parts

## 7.1. Cabinet assembly







<b>HOSES</b>		
<b>Position</b>	<b>Hose</b>	<b>Bracket</b>
A1	88	183
A2	85	184
B1	87	182
C1	91	-
D1	86	183
D2	83	184
E1	84	184
F1	83	184
G1	89	185
K1	90	186

<b>Pos. No</b>	<b>Order code</b>	<b>Description</b>	<b>110P</b>	<b>110PD</b>	<b>135P</b>	<b>135PD</b>
1	88000001	Cabinet body	1	1		
	88000002	Cabinet body			1	1
2	83900020	Frame	1	1	1	1
3	83400012	El. Cabinet	1	1		
	83400015	El. Cabinet			1	1
4	83100024	E. cabinet door	1	1		
	83100031	E. cabinet door			1	1
5	86900008	Panel	1	1	1	1
6	80600030	Bracket	2	2	2	2
7	82600003	Reflector	1	1	1	1
8	88700002	Cone				
9	83100025	Cabinet door right	1			
	83100033	Cabinet door right			1	
10	83100044	Cabinet door left	1			
	83100032	Cabinet door left			1	
11	82400036	Frame	2			
	82400022	Frame			2	
12	83100027	Cabinet Pass-Through door right		1		
	83100035	Cabinet Pass-Through door right				1
13	83100028	Cabinet Pass-Through door left		1		
	83100034	Cabinet Pass-Through door left				1
14	88100001	Dumper plate		2		2
15	82600002	Reflector		2		2
16	84000002	Rubber shield		2		2
17	84000003	Rubber shield		2		2

Pos. No	Order code	Description	110P	110PD	135P	135PD
18	82400021	Frame		4		
	82400037	Frame				4
19	83100026	Door	1	1	1	1
20	83400013	Reclaimer body	1	1		
	83400016	Reclaimer body			1	1
21	83100029	Reclaimer door	1	1		
	83100036	Reclaimer door			1	1
22	88200001	Cribble	1	1	1	1
23	89900003	Intake bend	1	1	1	1
24	80500023	Reclaimer flange	1	1		
	80500026	Reclaimer flange			1	1
25	81050001	Clamp	1	1	1	1
26	82400029	Clamp frame	1	1		
	82400030	Clamp frame			1	1
27	84000007	Rubber shield	1	1		
	84000008	Rubber shield			1	1
28	88500009	Rubber gasket	1	1		
	88500010	Rubber gasket			1	1
29	83400014	Diffusion housing	1	1		
	83400017	Diffusion housing			1	1
30	88300001	Diffusion shaft	1	1	1	1
31	83100030	Diffusion door	1	1		
	83100038	Diffusion door			1	1
32	86400004	Bars	1	1		
	86400005	Bars			1	1
33	88400001	Dumper plate	1	1	1	1
34	80500015	Electric motor flange	1	1		
	80500016	Electric motor flange			1	1
35	88500001	Rubber gasket	1	1		
	88500004	Rubber gasket			1	1
36	88500002	Rubber gasket	1	1		
	88500005	Rubber gasket			1	1
37	88600001	Pulse-jet cleaning manifold	1	1		
	88600002	Pulse-jet cleaning manifold			1	1
38	80300050	Support left	1	1		
	80300053	Support left			1	1
39	80300051	Support right	1	1		
	80300052	Support right			1	1

Pos. No	Order code	Description	110P	110PD	135P	135PD
40	88100002	Dumper	1	1	1	1
41	81600019	Nozzle	1	1	1	1
42	81800004	Traverse	1	1		
	81800009	Traverse			1	1
43	81800005	Traverse	1	1		
	81800010	Traverse			1	1
44	81800006	Traverse	6	6		
	81800008	Traverse			6	6
45	81000109	Panel	2	2		
	81000110	Panel			2	2
46	81800007	Traverse	1	1		
	81800011	Traverse			1	1
47	88800001	Floor plate	1	1		
	88800003	Floor plate			1	1
48	88800002	Floor plate	1	1		
	88800004	Floor plate			1	1
49	88500003	Rubber gasket	2	2	2	2
50	88300002	Shaft			1	1
	88300014	Shaft	1	1		
51	83400025	Blow-out valve body	1	1	1	1
52	81100054	Blow-out valve top	1	1	1	1
53	10100001	Blow-out valve socket	1	1	1	1
55	22020001	Pin-wrench	1	1	1	1
56	87100014	Grid	1	1	1	1
57	87100015	Grid	1	1	1	1
58	85800002	Screw connection	1	1	1	1
59	81230001	Socket	1	1	1	1
60	88500007	Rubber gasket	1	1	1	1
61	10115605	Blast cabinet gloves	1	1	1	1
62	29000028	Diaphragm	1	1	1	1
63	33140003	Lamp	2	2	2	2
64	22010102	Impeller	1	1		
	22010202	Impeller			1	1
65	81220003	Diffusion cell	1	1		
	81220004	Diffusion cell			1	1
66	10115901	Air blow-off nozzle	1	1	1	1
67	10115300	Blast cabinet gun				
68	10115508	Nozzle				

Pos. No	Order code	Description	110P	110PD	135P	135PD
69	10112571	Nozzle	1	1	1	1
70	10112200	Nozzle holder	1	1	1	1
71	10115920	Metering valve				
72	22040002	Blast machine assembly	1	1		
	22040003	Blast machine assembly			1	1
73	51202008	Pressure gauge	1	1	1	1
74	10130404	Pressure gauge	1	1	1	1
75	51202010	Pressure gauge	1	1	1	1
76	51203002	Pneumatic filtration and control unit				
77	51203001	Pneumatic filtration and control unit	1	1	1	1
78	51201001	Pressure regulator	2	2	2	2
79	51203007	Door interlock	2	2	2	2
80	51203003	Pneumatic foot pedal	1	1	1	1
81	51203004	Diaphragm pulse-jet valve	1	1	1	1
82	22070103	Filter cartridge	1	1		
	22070104	Filter cartridge			1	1
83	10112100	Blast hose, 1m	3,2	3,2	3,6	3,6
84	10151002	Rubber hose, 1m	0,15	0,15	0,15	0,15
85	10151003	Rubber hose, 1m	1,05	1,05	1,3	1,3
86	41102004	Rubber hose, 1m				
87	10130900	Rubber hose, 1m	2	2	2,4	2,4
88	41200001	Rubber hose, 1m				
89	41101002	Hose, 1m	1,6	1,6	2,1	2,1
90	41101003	Hose, 1m	0,9	0,9	1	1
91	41101001	Rubber hose, 1m	11	11	14	14
92	51204001	Silencer	2	2	2	2
93	51205003	Plug				
94	51100015	Screw connection	1	1	1	1
95	51100002	Screw connection				
96	51100001	Screw connection	1	1	1	1
97	52130003	Adapter	1	1	1	1
98	52130001	Adapter	1	1	1	1
99	51600001	Straight adapter	1	1	1	1
100	51400011	Straight adapter	1	1	1	1
101	51300002	Screw connection				
102	51300010	Screw connection				
103	51300007	Screw connection				

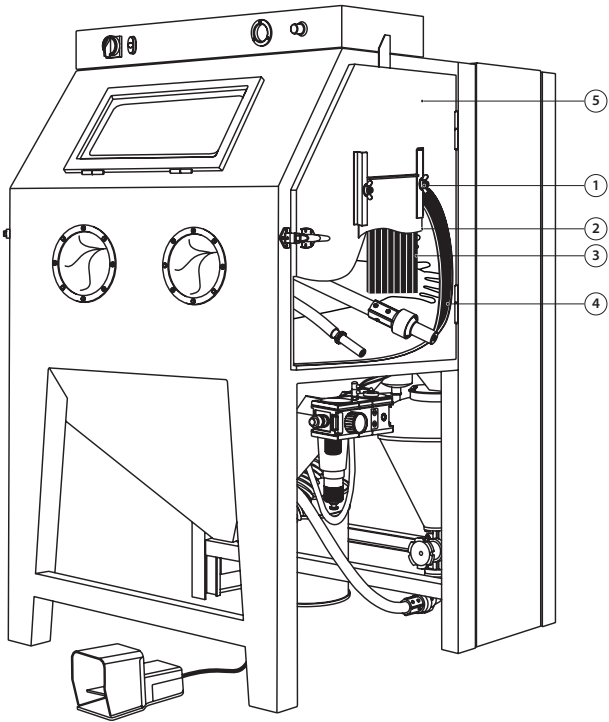
Pos. No	Order code	Description	110P	110PD	135P	135PD
104	51300008	Screw connection				
105	51300001	Screw connection	3	3	3	3
106	51300006	Screw connection	2	2	2	2
107	51300005	Screw connection	1	1	1	1
108	51300004	Screw connection	1	1	1	1
109	51300009	Screw connection	1	1	1	1
110	51100004	Screw connection	4	4	4	4
111	51100003	Screw connection	2	2	2	2
112	51100005	Screw connection	5	5	5	5
113	51100006	Screw connection	1	1	1	1
114	67000008	Gasket	1	1	1	1
115	90852088	Rubber gland	2	2	2	2
116	90855146	Rubber gland	2	2	2	2
117	90855156	Rubber gland				
118	90855166	Rubber gland				
119	90855176	Rubber gland	2	2	2	2
120	90855155	Rubber plug	2	2	2	2
121	90855175	Rubber plug				
122	90407002	Gasket	5,1	5,1	8	8
123	90407004	Gasket	7	7	5,38	5,38
124	90407005	Gasket	3	3	12,4	12,4
125	90401001	Gasket	0,9	0,9	1	1
126	90406001	Gasket	3,2	3,2	3,2	3,2
127	90202006	Hinge	2	2	2	2
128	90204011	Cabinet door latch	2	2	2	2
129	22140004	Glove flange	2	2	2	2
130	90204005	Knob	2	6	2	6
131	90204006	Knob	4	4	4	4
132	90204007	Knob	1	1	1	1
133	32060001	Main switch 0-I	1	1	1	1
134	33070001	Double pushbuttons ON / OFF	1	1	1	1
135	32040001	Electronic timer for pulse-jet valve	1	1	1	1
136	31120004	Electric motor	1	1		
	31120005	Electric motor			1	1
137	33270005	Plug	1	1	1	1
138	33030002	Glang	3	3	3	3
139	33030012	Glang	1	1		
140	33030006	Glang			1	1



<b>Pos. No</b>	<b>Order code</b>	<b>Description</b>	<b>110P</b>	<b>110PD</b>	<b>135P</b>	<b>135PD</b>
141	61110430	Hexagon Screw	6	6	6	6
142	61110616	Hexagon Screw	22	22	22	22
143	61110620	Hexagon Screw	76	76	76	76
144	61110630	Hexagon Screw	11	11	11	11
145	61110640	Hexagon Screw	2	2	2	2
146	61110820	Hexagon Screw	60	60	60	60
147	61110835	Hexagon Screw	7	7	7	7
148	61110855	Hexagon Screw	1	1	1	1
149	61111025	Hexagon Screw	8	8	8	8
150	61111030	Hexagon Screw	4	4	4	4
151	62310416	Screw	8	8	8	8
152	62310420	Screw	6	6	6	6
153	62110860	Screw	4	4	4	4
154	62310616	Screw	8	8	8	8
155	62510420	Screw	3	3	3	3
156	62804213	Screw	8	8	8	8
157	63110004	Nut	25	25	25	25
158	63110005	Nut	7	7	7	7
159	63110006	Nut	65	65	65	65
160	63110008	Nut	50	50	50	50
161	63110010	Nut	8	8	16	16
162	63210006	Nut	2	2	2	2
163	63210008	Nut	1	1	1	1
164	63300006	Nut	23	23	23	23
165	10115316	Spring Washer	12	12	12	12
166	64310005	Spring Washer				
167	64310006	Spring Washer	56	56	56	56
168	64310008	Spring Washer	50	50	50	50
169	64310010	Spring Washer	8	8	12	12
170	64210006	Washer	39	39	39	39
171	64210008	Washer	2	2	2	2
172	64210012	Washer	1	1	1	1
173	64110004	Washer	12	12	12	12
174	64110005	Washer	7	7	7	7
175	64110006	Washer	78	78	78	78
176	64110008	Washer	111	111	111	111
177	64110010	Washer	19	19	24	24
178	64400005	Washer	6	6	6	6
179	66010001	Rivet	8	8	8	8
180	66010002	Rivet	52	52	52	52

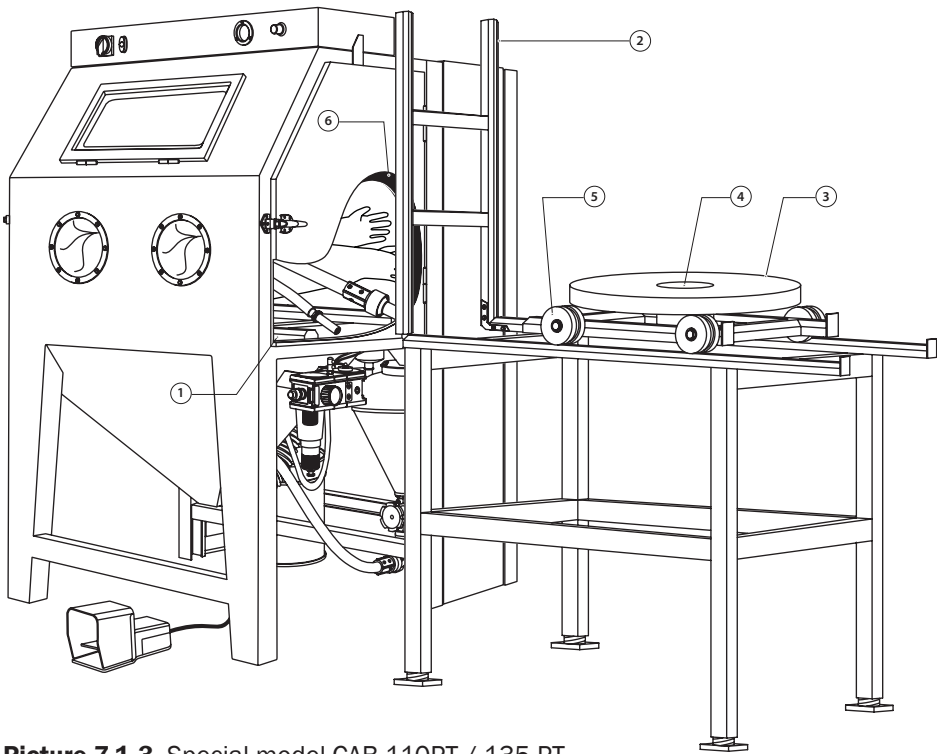
Pos. No	Order code	Description	110P	110PD	135P	135PD
181	66010003	Rivet	6	6	6	6
182	90100005	Clamp for hose	2	2	2	2
183	90100006	Clamp for hose				
184	90100007	Clamp for hose	6	6	6	6
185	90100002	Clamp for hose	2	2	2	2
186	90100001	Clamp for hose	4	4	4	4
187	90100003	Clamp for hose	2	2	2	2
188	90402001	Soundproofing, 1m <sup>2</sup>	0,76	0,76	1,8	1,8
189	90201003	Lock	2	2	2	2
190	90204001	Knob	2	2	2	2
191	22030001	Safety glas window	1	1	1	1
192	22030002	Disposable window	1	1	1	1
193	22030003	Light glass window	1	1	1	1
194	81240001	Dust container	1	1	1	1
195	88500008	Rubber gasket	1	1	1	1
196	52030001	Plug				
197	52030002	Plug				
198	10115810	Rubber curtain set	1			
	10115811	Rubber curtain set			1	
199	10115808	Rubber curtain set		1		
	10115809	Rubber curtain set				1
200	90204004	Knob		8		8
201	10115817	Reclaimer ASSEMBLY	1	1		
	10115818	Reclaimer ASSEMBLY			1	1
202	10115801	Door ASSEMBLY (through-pass)		1		
	10115802	Door ASSEMBLY (through-pass)				1
203	10110950	Ring	1	1	1	1
204	10110960	Pressurizing valve	1	1	1	1
205	10110939	Nipple	1	1	1	1
206	10110941	Elbow	1	1	1	1
207	10115319	T-piece	1	1	1	1
208	10110938	Ball valve	1	1	1	1
209	10115320	Union	1	1	1	1
210	10115321	Pipe	1	1	1	1
211	10115322	Elbow	1	1	1	1
212	10115323	Pipe	1	1	1	1
213	10115324	Elbow	1	1	1	1
214	10115325	Reducing	1	1	1	1
215	10110948	T-piece	1	1	1	1
216	10110949	Threaded flange	2	2	1	1

<b>Pos. No</b>	<b>Order code</b>	<b>Description</b>	<b>110P</b>	<b>110PD</b>	<b>135P</b>	<b>135PD</b>
217	10110860	Metering valve	1	1	1	1
218	10110947	Rubber pipe	1	1	1	1
219	10115917	Blow-out valve	1	1	1	1
220	85800006	Screw connection	2	2	2	2
221	10110955	Guide	1	1	1	1
222	73025120	Pipe	1	1	1	1



**Picture 7.1.2.** Special model CAB-110PD / 135-PD

Pos. No	Order code	Description	Amount
1	90204004	Knob	8
2	88100001	Dumper plate	2
3	82600002	Reflector	2
	84000002	Rubber shield	2
	84000003	Rubber shield	1
4	10115810	Rubber curtain set, black, for CAB-110	1
	10115811	Rubber curtain set, black, for CAB-135	1
5	10115801	Pass-through cabinet door CAB-110S/110P, left	1
	10115802	Pass-through cabinet door CAB-135S/135P, left	1

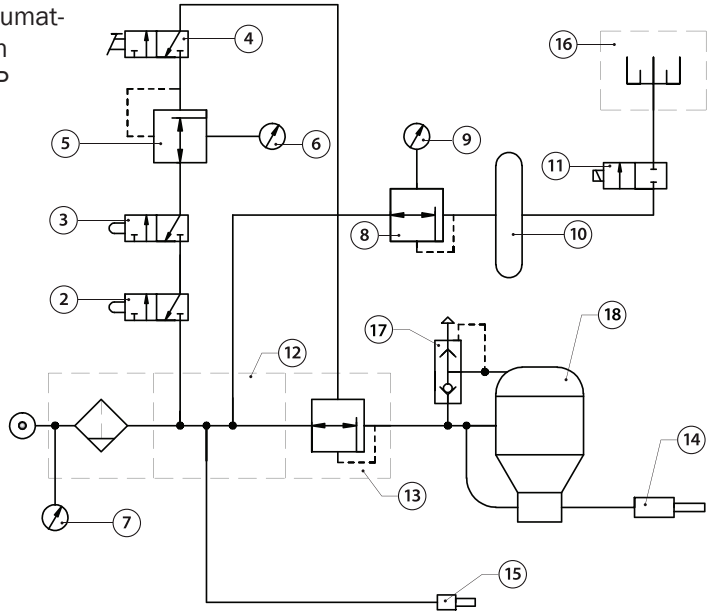


**Picture 7.1.3.** Special model CAB-110PT / 135-PT

Pos. No	Order code	Description	Amount
1	10115705	Trucks inner part, for CAB-110	1
	10115706	Trucks inner part, for CAB-135	1
2	10115703	Trucks outer part, for turntables with Ø 500 mm	1
	10115704 10115704	Trucks outer part, for turntables with Ø 800 mm	1
3	10115707	Turntable Ø 500 mm, with cart, assembly	1
	10115708	Turntable Ø 800 mm, with cart, assembly	1
4	22090001	Bearing with housing, universal for turntable Ø 500 mm / Ø 800 mm	1
5	81160001	Double flange wheel, universal for turntable Ø 500 mm / Ø 800 mm	1
	22090002	Wheel bearing TTM	2
6	10115810	Rubber curtain set, black, for CAB-110	1
	10115811	Rubber curtain set, black, for CAB-135	1

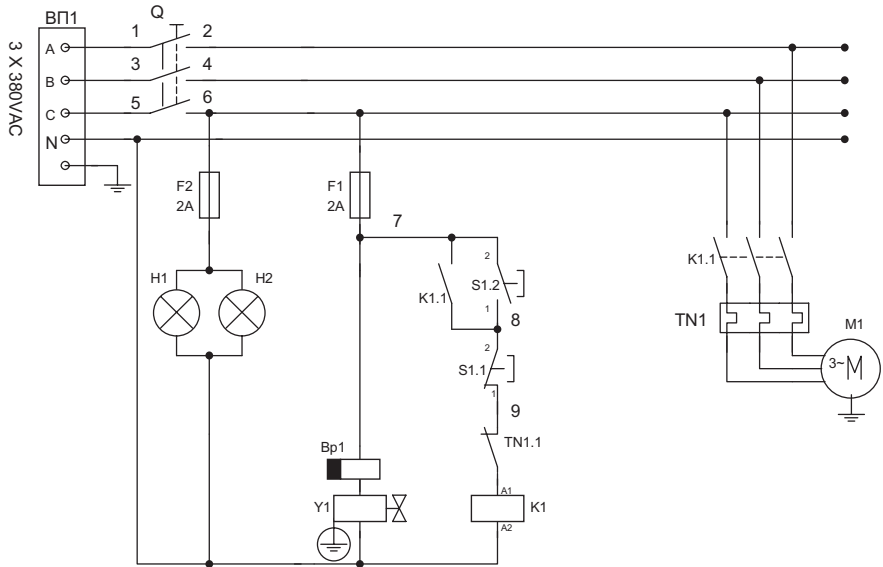
## 7.2. Pneumatic circuit diagram

**Picture 7.2.** Pneumatic circuit diagram  
CAB-110P/ 135P



Pos. No	Order code	Description
2	51203007	Door interlock
3	51203007	Door interlock
4	51203003	Pneumatic foot pedal
5	51201001	Pressure regulator
6	51202010	Panel mounting pressure gauge
7	10130404	Pressure gauge
8	51201001	Pressure regulator
9	51202008	Pressure gauge
10	88600001	Pulse-jet cleaning manifold
11	51203004	Diaphragm pulse-jet valve
12	51100001	Pneumatic fitting
13	51203001	Pressure regulator
14	10112571	Short Venturi nozzle
15	10115901	Air blow-off nozzle, rubber
16	22070103	Cartridge filter
	22070104	Cartridge filter
17	10115917	Blow-out valve, assembly
18	22040002	Blast machine assembly
	22040003	Blast machine assembly

### 7.3. Electric circuit diagram



**Picture 7.3.** Electric circuit diagram CAB-110P/ 135P

Pos. No	Order code	Description
S1	33070001	Double pushbuttons ON / OFF
HS	32060001	Main switch 0-I
M	31120004	Electric motor 1,1 kW
	31120005	Electric motor 1,5 kW
K1.1	35010011	Contactora 3-poles
H1	33140003	Light assembly
Bp	32040001	Electronic timer for pulse-jet valve
Y1	51203004	Diaphragm pulse valve
TH1	35020009	Thermal relay
F1	32080001	Fuze

<b>1. Sicherheitshinweise</b>	<b>49</b>
<b>2. Lieferumfang und Beschreibung</b>	<b>50</b>
<b>3. Aufbau, Betrieb und Beenden der Arbeit</b>	<b>56</b>
<b>4. Strahlvorgang</b>	<b>59</b>
<b>5. Wartung</b>	<b>67</b>
<b>6. Störungsbeseitigung</b>	<b>75</b>
<b>7. Allgemeine Zeichnungen/Diagramme</b>	<b>80</b>



## **ACHTUNG!**

**BITTE LESEN SIE DIESES HANDBUCH VOR GEBRAUCH DER MASCHINE GENAU DURCH:**

**DIE FOLGENDEN INFORMATIONEN SIND WICHTIG FÜR DIE SICHERHEIT UND GESUNDHEIT DES ANWENDERS UND PERSONEN, DIE SICH IN DER NÄHE AUFHALTEN.**



## **ACHTUNG!**

**ACHTEN SIE BEIM KAUF DER MASCHINE BITTE DARAUF, DASS DIE GARANTIEKARTE VOLLSTÄNDIG AUSGEFÜLLT WIRD.**

**WENN DIE KARTE NICHT AUSGEFÜLLT VORLIEGT, BESTEHT KEIN GARANTIEANSPRUCH.**



# 1. Sicherheitshinweise

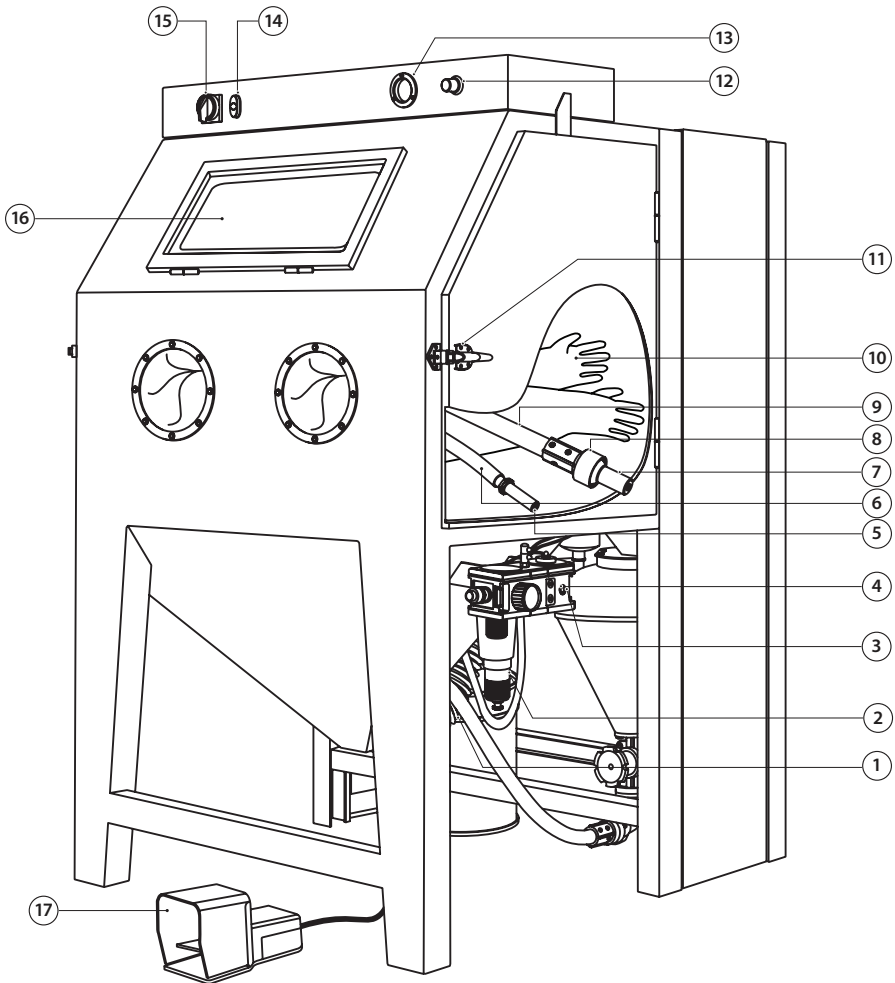


## **ACHTUNG!**

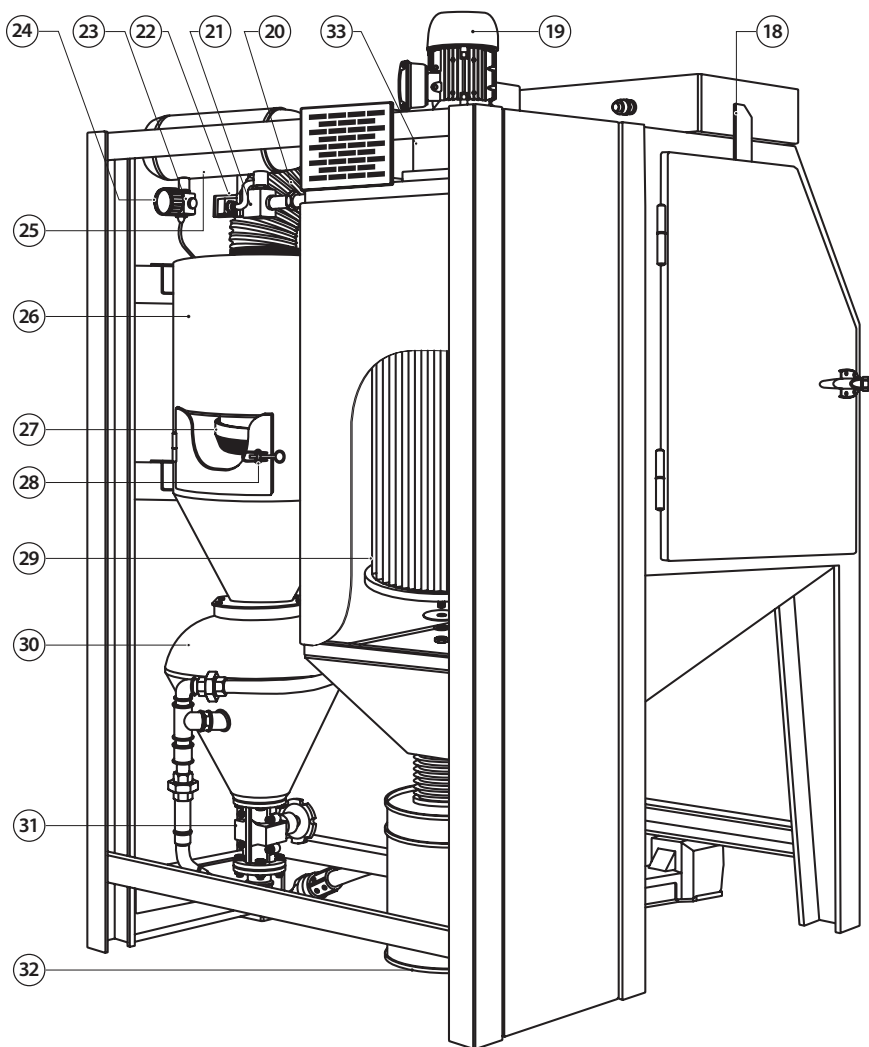
### **SICHERHEITSREGELN FÜR DEN BETRIEB DER STRALKABINE**

- 1. Tragen Sie bei Strahlarbeiten immer Schutzhandschuhe.**
- 2. Benutzen Sie keine abgenutzte oder beschädigte Ausrüstung.**
- 3. Richten Sie die Düse nur auf den zu bearbeitenden Bereich. Richten Sie die Düse nie auf das Kabinfenster.**
- 4. Verwenden Sie nur trockene, gut durchgesiebte Strahlmittel, die für Strahlarbeiten geeignet sind.**
- 5. Vor Beginn der Arbeit mit der Strahlkabine:**
  - Stellen Sie sicher, dass Handschuhe, Dichtungen, Schläuche und Verbinder nicht abgenutzt sind.**
  - Bei Verwendung von Schlauchverbindern müssen diese mit Draht gesichert werden**
  - Stellen Sie sicher, dass die Kabine geerdet ist**
- 6. Während des Strahlvorgangs müssen alle Türen an Kabine, Rückgewinnung und Staubabscheider geschlossen sein.**
- 7. Benutzen Sie die Abblasdüse um das Werkstück von Strahlmittel zu reinigen, bevor Sie die Absaugung abschalten und die Türen öffnen.**
- 8. Öffnen Sie die Türen oder schalten Sie die Absaugung erst ab, wenn die Luft in der Kabine staubfrei ist.**

## 2. Lieferumfang und Beschreibung



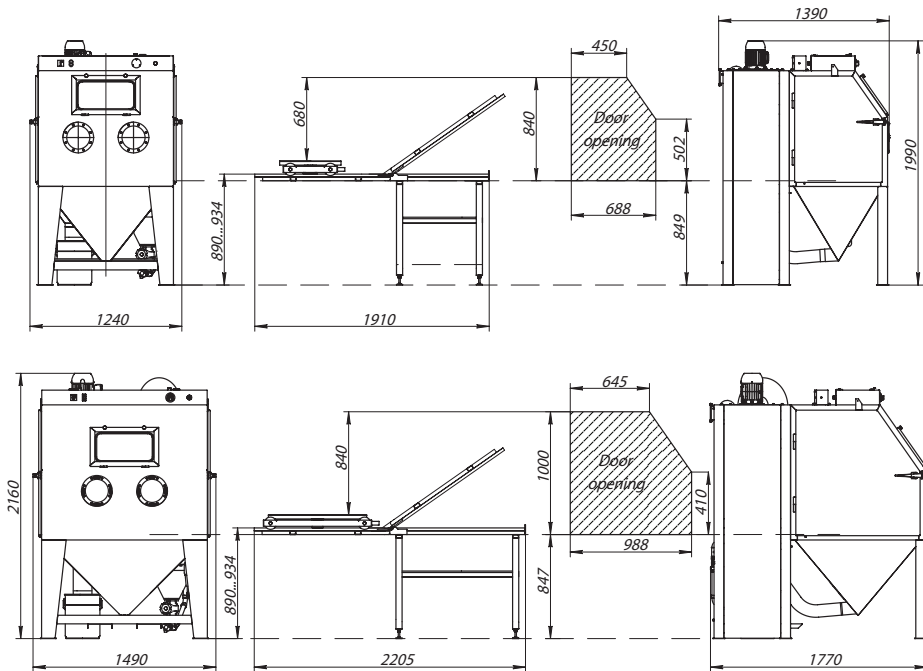
**Abb. 2.0.1.** Übersicht Strahlkabine CAB-110P/135P (Frontansicht)



**Abb. 2.0.2.** Übersicht Strahlkabine CAB-110P/135P (Rückansicht)

Abb. Nr.	Beschreibung
1	Saugschlauch Ø 100
2	Luftfilter
3	Druckregler, Ferngesteuert

4	Manometer
5	Abblasdüse, Gummi
6	Gummischlauch für Abblasdüse
7	Strahldüse
8	Düsenhalter
9	Strahlschlauch 19 mm
10	RGS Strahlhandschuhe
11	Türverschluß
12	Druckregler Arbeitsdruck
13	Einbau-Manometer, Arbeitsdruck
14	Doppeldrucktaster EIN / AUS
15	Nockenschalter 0-I
16	Sichtfenster (Baugruppe)
17	Pneumatischer Fußventil
18	Türsicherungsventil
19	Elektromotor
20	Ventilationsschlauch Ø 150
21	Membranventil Impulsabreinigung
22	Таймер управления имп. пневмоклапанном
23	Druckregler Impulsabreinigung
24	Manometer
25	Druckbehälter für Impulsabreinigung
26	Zyklon Rückgewinnungssystem R-350 / R-400
27	Sieb
28	Zyklon Türverschluß
29	Patronenfilter
30	Strahlkessel 25/50 Liter
31	SGV Strahlmittelventil
32	Staubbehälter
33	Lüfter für DC-1100 / 1500



**Abb. 2.0.2.** Gesamtabmessungen Strahlkabine CAB-110P/135P

## 2.1. Lieferumfang

Tabelle. 2.1

Artikelnr.	Modell	Lieferumfang, Beschreibung
10215205	CAB-110P	<p>STRAHLKABINE, KOMPLETTSYSTEM, BESTEHEND AUS:</p> <ul style="list-style-type: none"> <li>- Strahlkabine</li> <li>- Zyklon Rückgewinnungssystem R-350</li> <li>- Strahlgerät 25 Liter</li> <li>- Patronenstaubfilter DC-1100 (siehe Tabelle 2.2)</li> </ul> <p>STANDARDAUSFÜHRUNG:</p> <ul style="list-style-type: none"> <li>- hochwertige 800 mm Strahlhandschuhe mit Gewebeinnenfutter</li> <li>- 19x33 mm Strahlschlauch mit Schlauchkupplung und Düsenhalter</li> <li>- Wolframkarbid Strahldüse STC-6.5</li> <li>- SGV Strahlmittelventil</li> <li>- Druckluftfilter mit 5µ Filterelement</li> <li>- Pilotgesteuerte Druckregelung</li> <li>- Türsicherheitsschalter</li> <li>- Impulsgereinigter Patronenfilter</li> </ul> <p>Elektrischer Anschluss 1,10 kW, 380V, 3 Phasen, 50Hz          Arbeitskammergröße (L x B x H) 1100 x 800 x 840          Masse, 380 kg          Schallpegel, 80 .. 120 dB (2000/14EC)          Betriebslast, 350 kg</p>
10215206	CAB-135P	<p>STRAHLKABINE, KOMPLETTSYSTEM, BESTEHEND AUS:</p> <ul style="list-style-type: none"> <li>- Strahlkabine</li> <li>- Zyklon Rückgewinnungssystem R-400</li> <li>- Strahlgerät 50 Liter</li> <li>- Patronenstaubfilter DC-1500 (siehe Tabelle 2.2)</li> </ul> <p>STANDARDAUSFÜHRUNG:</p> <ul style="list-style-type: none"> <li>- hochwertige 800 mm Strahlhandschuhe mit Gewebeinnenfutter</li> <li>- 19x33 mm Strahlschlauch mit Schlauchkupplung und Düsenhalter</li> <li>- Wolframkarbid Strahldüse STC-6.5</li> <li>- SGV Strahlmittelventil</li> <li>- Druckluftfilter mit 5µ Filterelement</li> <li>- Pilotgesteuerte Druckregelung</li> <li>- Türsicherheitsschalter</li> <li>- Impulsgereinigter Patronenfilter</li> </ul> <p>Elektrischer Anschluss 1,50 kW, 380V, 3 phase, 50Hz          Arbeitskammergröße (L x B x H) 1350 x 1100 x 1070          Masse, 480 kg          Schallpegel, 80 .. 120 dB (2000/14EC)          Betriebslast, 350 kg</p>

**Tabelle. 2.2**

	Filtermaterial	Filteroberfläche, m <sup>2</sup>	Lüfter Leistungsaufnahme, kW	Lüfter Volumenstrom, m <sup>3</sup> /h	Lüfter Gegendruck, Pa
CAB-110	Polyester	7,5	1,1	1050	1950
CAB-135	Polyester	11	1,5	1150	2250

# 3. Allgemeine Informationen

## 3.1. Allgemeine Informationen

Die Contracor Strahlkabine bietet einen geschlossenen Strahlarbeitsbereich, der eine effiziente Strahlreinigung ermöglicht während der umliegende Arbeitsbereich sauber bleibt.

Die Arbeitsleistung der Strahlkabinen hängen von der Düsengröße, der Kompressorleistung, dem Arbeitsdruck, Art und Größe des Strahlmittels und dem Abstand von der Düse zur Oberfläche des zu reinigenden Werkstücks ab. Die Contracor Druck-Strahlkabine besteht aus vier Modulen:

1. Stabil gebaute, geschweißte Stahlarbeitskammer
2. Zyklon-Strahlmittelrückgewinnung für größte Effektivität bei der Wiederverwendung von Strahlmittel.
3. 25 oder 50 Liter Strahlgerät mit SGV Strahlmitteldosierventil ausgestattet.
4. Staubabscheider mit Hochleistungsgebläse und impuls gereinigter Filterpatrone.

## 3.2. Funktionsprinzip

Wenn die Luftversorgung an und die Türen geschlossen sind, kann die Maschine durch Betätigen des Fußschalters gestartet werden. Durch das Treten des Fußpedals wird der Druck in dem Gerät erhöht und der Strahlvorgang beginnt.

Nach dem Auftreffen auf dem Werkstück fällt das Strahlmittel, zusammen mit Staub, zerbrochenem Strahlmittel und beim Strahlen anfallenden Teilchen durch den Rost in den Auffangtrichter der Kabine. Diese Partikel werden zur Trennung in die Rückgewinnung geleitet. Zuerst werden Staub und Feinpartikel vom wiederverwendbaren Strahlmittel getrennt. Danach werden größere Teile ausgesiebt und das Strahlmittel im Rückgewinnungsbehälter zur Wiederverwendung aufgefangen.

Gleichzeitig werden Staub und feine Partikel durch die Rückgewinnung in den Patronenstaubfilter gezogen, der den Staub auffängt und saubere Luft ausstößt. Beim Loslassen des Fußpedals wird der Druck im Kammer abgebaut und der Strahlvorgang gestoppt.



Die Filterpatrone des Staubabscheiders wird durch Hochgeschwindigkeits-Druckluftstöße auf die Innenseite des Filters gereinigt. Ein elektronischer Timer steuert die Zeit zwischen den Impulsen. Die sich ausbreitende Luft dreht kurzzeitig die Fließrichtung der Luft um und löst so den Staub, der sich an der Außenseite angesammelt hat. Die Staubpartikel fallen von der Patrone zur Entsorgung in den Auffangbehälter.

### 3.3. Strahlmaschine- und Düsenvarianten

Die Strahlmaschine wird gemäß dem Europäischen CE-Norm hergestellt, wie dem CE-Zertifikat zu entnehmen ist. Der Besitzer muss für die Funktionstüchtigkeit und Vollständigkeit selber haften, je nach rechtlicher Lage in den betroffenen Ländern.

Nachdem festgestellt wurde, dass die Druckluftversorgung eingeschaltet und die Strahlkabinentüren geschlossen sind, kann der Strahlvorgang beginnen, in dem auf das Fußpedal gedrückt wird. Hiermit wird das Einlassventil, das im Regelfall geschlossen ist, geöffnet, und das Auslassventil, das im Normalzustand geöffnet ist, geschlossen. Somit wird der Druck in der Kammer aufgebaut, und der Strahlvorgang beginnt. Wird das Fußpedal losgelassen, so wird der Druck abgebaut, und der Strahlvorgang wird abgebrochen.

Die gelieferte Strahldüse ist eine Wolframkarbiddüse mit 6,5mm Öffnung. Zusätzlich werden 5,0mm und 8,0mm Düsen angeboten. Der maximale Durchmesser der Düsenöffnung ist von der Dimensionierung des Strahlmittelscheiders abhängig, und kann, unter normalen Bedingungen aus Tabelle 3.1 entnommen werden. Hiermit zahlen mäßige Partikelkontamination, Strahlmittelsabbau, -Durchfluss und -Größe zu normalen Bedingungen.

**Tabelle. 3.1** Max. Düsengröße

Strahlmittelscheider	Max. Düsengröße, mm
R-350	6,5
R-400	8,0

### 3.4. Strahlmittel

Contracor Kabinen können mit den meisten gängigen Strahlmitteln verwendet werden, 1,50 mm Körnung oder größer, die speziell zum Trockenstrahlen hergestellt werden.

Die Angabe der zu verwendenden Korngrößen und Düsengrößen beruht auf einem

normalen Strahlmittelfluss. Zäher Strahlmittelfluss oder geringer Unterdruck erlauben eventuell nur die Verwendung von kleineren Durchmessern.

**Stahlstrahlmittel:** : Stahlguss rund oder kantig können in den Strahlkabinen CAB-110P und CAB-135P mit Einschränkungen verwendet werden (maximale Körnung ca. 0,80 mm). Genaue maximale Körnung ist abhängig vom spezifischen Gewicht und von der geometrischen Form des Strahlmittels und muss vom Anwender durch praktische Tests ermittelt werden. Gummiverkleidungen sollten benutzt werden, um die Kabineninnenwände vor schnellerer Abnutzung zu schützen.

**Sand und Schlacke:** Sand sollte niemals verwendet werden aufgrund der Gesundheitsgefahr die von silikogenen Strahlmitteln ausgeht. Schlacke ist nicht empfehlenswert, da sie schnell zerschlägt.



## **ACHTUNG!**

**Strahlen mit Quarzsand der Siliziumdioxid enthält kann schwere oder tödliche Atemwegserkrankungen hervorrufen**

**Korund, Siliciumcarbid, Granatsand:** Aggressive Strahlmittel wie diese können verwendet werden, allerdings sollte man bedenken, dass sie zu schnellerer Abnutzung der Kabinenteile, der Rückgewinnung, der Düsen und der Schläuche, die mit ihnen in Kontakt kommen, führen. Falls aggressive Strahlmittel verwendet werden, muss eine Wolframkarbid-Düse benutzt werden. Die Standzeit einer Wolframkarbid-Düse ist 10 bis 20 mal höher als die einer Keramikdüse.

**Glaskugeln:** Die meisten Glaskugeln werden behandelt, um auch unter etwas feuchteren Bedingungen einen guten Strahlmittelfluss sicherzustellen. Glaskugeln, die zu hoher Feuchtigkeit ausgesetzt waren, können nach gründlicher Trocknung und dem Aufbrechen von Verklumpungen wieder verwendet werden.

## **3.5. Qualität der Druckluft**

Der Luftfilter am Lufteinlass vermindert das Eindringen von Wasser mit der Druckluft. Die Verwendung ist besonders wichtig in Bereichen mit hoher Luftfeuchtigkeit oder bei Verwendung von feinem Strahlmittel. Feuchtigkeit führt zum Verklumpen von Strahlmittel und behindert den freien Fluss in der Zuführung. Bei anhaltenden Feuchtigkeitsproblemen könnte ein Drucklufttrockner nötig sein.

## 3.6. Druckluftbedarf

Die erforderliche Kapazität der Druckluftversorgung ist von dem Düsendurchmesser und dem Betriebsdruck abhängig.

**Tabelle. 3.2** Luftverbrauch

Ø Strahldüse (mm)	DRUCKLUFTBEDARF (m <sup>3</sup> /min.) bei Arbeitsdruck, bar			
	3	4	5	6
5,0	0,7	0,8	0,9	1,0
6,5	1,3	1,5	1,7	1,9
8,0	2,0	2,5	2,0	3,3

Die obige Tabelle zeigt die erforderliche Kapazität nur für die Strahldüse. Zusätzlich wird Luft für die Reinigung des Patronenfilters benötigt, die den obigen Menge zugerechnet werden muss.

Der angegebene Luftverbrauch gilt nur für neue Düsen. Mit steigendem Verschleiß steigt auch der Luftverbrauch der Düse, bis zu einem Maximum von 70% bis 80% mehr als im Neuzustand.

## 4. Aufbau, Betrieb und Beenden der Arbeit

### 4.1. Installation and Set-up

#### 4.1.1 Aufstellungsort

Wählen Sie einen Aufstellungsort, an dem Druckluft, Wasser und ein Stromanschluss verfügbar sind. Achten Sie darauf, dass alle Türen und Servicebereiche frei zugänglich sind und genügend Platz vorhanden ist, um mit großen Teilen zu arbeiten.

#### 4.1.2 Druckluftversorgung

Verbinden Sie die Druckluftzuleitung mit einem Innendurchmesser von mindestens I.D. = 1". mit dem Kabinenanschluss. Verwenden Sie für die Verbindung einen flexiblen Schlauch mit dem gleichen Innendurchmesser wie die Hauptluftleitung. Ein kleinerer Schlauch- oder Leitungsdurchmesser kann zu geringerer Strahlleistung führen.



## **ACHTUNG!**

**Stellen Sie sicher, dass alle Leitungsverbinder und Schlauchschellen fest sind, bevor Sie die Strahlkabine in Betrieb nehmen. Ein sich unter Druck lösender Schlauch kann schwere Verletzungen hervorrufen.**

### **4.1.3 Erdung**

Erden Sie die Kabine, um statische Aufladung zu vermeiden. Zur Erdung bringen Sie ein geerdetes Kabel am Erdungsanschluss an der Kabinenverkleidung an.

### **4.1.4 Elektrischer Anschluss**



## **ACHTUNG!**

**Alle elektrischen Arbeiten müssen von einem qualifizierten Elektriker entsprechend den nationalen und regionalen Vorschriften ausgeführt werden.**

Ein elektrischer Schaltplan wird mitgeliefert. Nach der Fertigstellung der Verdrahtung überprüfen Sie die Motorlaufrichtung. Schalten Sie dazu kurz ein und gleich wieder aus.

Der Motor wird sich langsam drehen. Überprüfen Sie die Laufrichtung des Lüfterrades durch die Schlitze im Motorgehäuse. Der Lüfter sollte sich im Uhrzeigersinn drehen, wenn man vom Lüfter in Richtung Motor schaut.



## **ACHTUNG!**

**Schauen Sie nicht in den Auslass der Rückgewinnung während sich die Absaugung dreht. Herausgeschleuderte Objekte könnten Augen- oder Gesichtsverletzungen verursachen.**

### **4.1.5 Kabinendruck**

Der Unterdruck in der Kabine muss so eingestellt werden, dass er zu der Größe der Kabine und der Rückgewinnung passt. Öffnen Sie die Strömungsklappe am Einlass um den Druck zu senken oder schließen Sie sie weiter, um den Unterdruck zu erhöhen.

Verwenden Sie die Handschuhe als Anzeiger des Kabinendrucks. Bei laufender Absaugung sollten die Handschuhe aufgeblasen sein, sich aber nicht vom Gitter abheben.

### 4.1.6 Fußpedal

Positionieren Sie das Fußpedal für leichte Erreichbarkeit auf dem Boden vor der Strahlkabine. Die Strahlkabine ist für einen Bediener vorgesehen. Stellen Sie sicher, dass Sie im Notfall schnell den Fuß vom Pedal nehmen können.

## 4.2. Strahlvorgang

### 4.2.1 Befüllen mit Strahlmittel

Füllen Sie bei ausgeschalteter Absaugung trockenes, sauberes Strahlmittel durch die Tür des Rückgewinners in den Rückgewinnertrichter. Füllen Sie nur bis zur Oberkante des Trichters der Rückgewinnung.

Füllen Sie kein Strahlmittel direkt in den Kabinenauffangtrichter, da die Gefahr des Überbefüllens besteht. Zuviel Strahlmittel führt dazu, dass Strahlmittel in den Staubabscheider gelangt, und der Zufuhrschlauch kann verstopfen. Füllen Sie nur nach nachdem alles Strahlmittel aus der Kabine zurückgeführt wurde.

**Tabelle 4.1** Die Mindestmenge an Strahlmittel, um das System zu beladen, ist

CAB-110P	CAB-135P
20 kg	40 kg

### 4.2.2 Entnahme des Strahlmittels

Um Strahlmittel aus der Strahlkabine zu entfernen muss der Druck in der Kabine zuerst auf 3 bar reduziert werden.

Stellen Sie ein leeres Behälter auf das Gitter der Kabine. Entfernen Sie die Düse und den Dichtungsring vom Düsenhalter, schließen Sie die Türen und das Drosselventil, und Drücken Sie auf das Fußpedal. Leiten Sie das Strahlmittel in den Behälter, bis dieser voll ist. Wiederholen Sie diesen Vorgang bis das Strahlmittel vollständig aus der Maschine entfernt wurde. Beachten Sie beim Verladen der Behälters auf Sicherheitshinweise, und achten Sie darauf, nicht zu schwere Lasten zu tragen. Wenn das Strahlmittel vollständig aus der Maschine geleert ist, öffnen Sie das Drosselventil vollständig. Überprüfen und reinigen Sie die Gewindegänge des Düsenhalters und der Düse bevor sie den Dichtungsring und Düse wieder einbauen.

### 4.2.3 Einbringen und Herausnehmen von Werkstücken

Werkstücke können durch eine der Türen eingelegt bzw. herausgenommen werden.

Die zu bearbeitenden Teile müssen frei von Öl, Wasser, Fett oder anderen verunreinigenden Stoffen sein, die Strahlmittel verklumpen oder Filter verstopfen.

Wenn Sie die Tür schließen, stellen Sie sicher, dass sie fest zu ist, andernfalls wird die Türsicherung den Strahlvorgang unterbinden.

#### 4.2.4 Strahlvorgang



### **ACHTUNG!**

**Schließen Sie immer die Kabinen-, Rückgewinnungs- und Staubabscheidertüren vor dem Strahlvorgang. Halten Sie während des Strahlens alle Türen geschlossen.**

**Tragen Sie immer Strahlhandschuhe.**

**Richten Sie die Strahldüse nicht auf das Sichtfenster.**

**Reinigen Sie das Werkstück mit der Abblasdüse bevor Sie die Türen öffnen.**

**Lassen Sie nach dem Strahlen die Türen geschlossen und die Absaugung an, bis die Luft in der Kabine frei von Staub ist.**

**Stoppen Sie den Strahlvorgang sofort, wenn Sie ein Austreten von Staub bemerken.**

Öffnen Sie die Druckluftzufuhr zur Strahlkabine. Überprüfen Sie sie bei der ersten Inbetriebnahme auf Undichtigkeiten.

Stellen Sie den Impulsdruckregler (Position siehe Zeichnung 2) auf 4,5 bar.

Drehen Sie den An/Ausschalter in die "I" Position, um die Beleuchtung und die Impulsreinigung des Filters anzuschalten.

Drücken Sie den Knopf ON, um die Absaugung zu starten.

Führen Sie Ihre Hände in die Gummihandschuhe ein.

Halten Sie die Strahldüse gut fest und treten Sie auf das Fußpedal. Der Strahlvorgang wird sofort ausgelöst. Stellen Sie den Strahl Druck am Strahl Druckregler, der sich am Bedienfeld befindet, ein. Das Manometer am Bedienfeld zeigt den tatsächlichen Strahl Druck an.

Die effektivste Strahltechnik ist, sanfte, gleichmäßige Bewegungen durchzuführen. Der Abstand zum Werkstück beeinflusst die Größe des Strahlbilds. Normalerweise beträgt der Abstand von der Düse zur Oberfläche des Werkstücks etwa 70 bis 150mm.



## **ACHTUNG!**

**Schalten Sie die Kabine unverzüglich ab, wenn Staub aus dem Staubabscheider austritt. Überprüfen Sie den Filter auf korrekten Sitz, Abnutzung und Beschädigung. Längeres Einatmen von Staub kann zu schweren Lungenerkrankungen oder Tod führen. Kurzzeitige Aufnahme von giftigem Staub, z.B. Blei, stellt eine unmittelbare Gesundheitsgefahr dar. Giftigkeit und Gesundheitsrisiko hängen von der Art des Staubes ab, der beim Strahlen entsteht. Identifizieren Sie alle Materialien, die beim Strahlen entfernt werden und besorgen Sie sich Sicherheitsdatenblätter für die Strahlmittel.**

Während des Betriebes der Strahlkabine wird der Staubabscheider entsprechend den Timereinstellungen automatisch abgereinigt. Längere Strahlarbeiten oder Einsatzbedingungen erfordern möglicherweise Anpassungen der Timereinstellungen

### **4.2.5 Beenden des Strahlvorgangs und Abschalten der Kabine**

Um den Strahlvorgang zu beenden, nehmen Sie den Fuß vom Pedal.

Verwenden Sie die Reinigungsdüse, um Strahlmittel vom bearbeiteten Teil zu blasen. Warten Sie, bis die Absaugung die Kabinenluft von Staub gereinigt hat, bevor Sie die Tür öffnen und Teile herausnehmen.

Drücken Sie den Knopf OFF um die Absaugung abzuschalten.

Drehen Sie den An/Ausschalter in die "0" Position, um das Licht und die Impulsreinigung des Filters abzuschalten. Schließen Sie die Luftzufuhr zur Kabine und entleeren Sie den Luftfilter.

## **4.3. Einstellen**

### **4.3.1 Strahldruck**

Der Strahldruckregler am Bedienfeld der Kabine ermöglicht es dem Bediener, den Strahldruck der jeweiligen Anwendung anzupassen. Ein Druck von ungefähr 5-6 bar ist für die meisten Anwendungen geeignet. Ein geringerer Druck kann bei empfindlicheren

Untergründen nötig sein, und er reduziert die Zerschlagung des Strahlmittels. Ein höherer Druck kann bei schwierigeren Strahlarbeiten mit widerstandfähigeren Untergründen erforderlich sein, aber er führt zur schnelleren Zerschlagung des Strahlmittels.

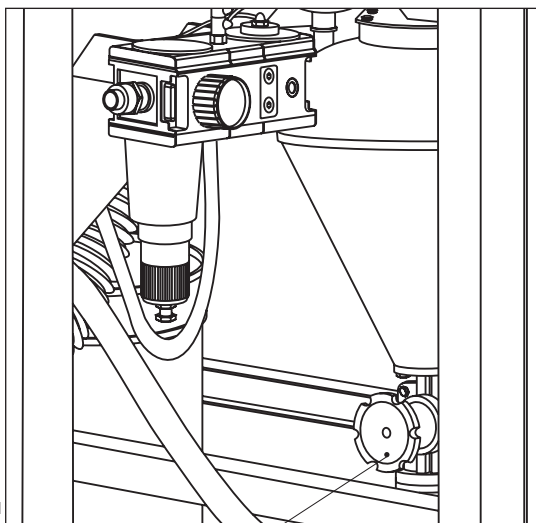
In jedem Fall kann die höchste Produktivität nur erreicht werden, wenn man den Strahldruck aufmerksam überwacht.

Stellen Sie den Strahldruck durch Drehen des Knopfes am Strahldruckregler ein, der sich am Bedienfeld befindet. Ziehen Sie den Knopf heraus und drehen Sie ihn im Uhrzeigersinn, um den Druck zu erhöhen, oder gegen den Uhrzeigersinn, um den Druck zu vermindern. Nach dem Einstellen des Druckes, drücken Sie den Knopf wieder hinein, um zu ihn verriegeln.

### 4.3.2 Strahlmitteldosierung

Der Strahlmitteldurchfluss wird durch das Durchflussdosierventil am Fuß der Strahlmaschine eingestellt. In der „ganz-rechts“-Position ist das Ventil geschlossen. Um den Durchfluss zu erhöhen, drehen Sie den Griff langsam gegen den Uhrzeigersinn (nach Links). Warten Sie bis der Durchfluss sich stabilisiert hat, bevor Sie weiter einstellen. In der „ganz-links“-Position ist der maximale Durchfluss erreicht. Der Durchfluss soll je nach Strahlmitteltyp und -größe, Betriebsdruck und der bevorstehenden Aufgabe. Achten Sie darauf, so wenig Strahlmittel wie nötig zu benutzen um eine schnelle Bearbeitung

**Abb. 4.3.2.** Strahlmittelregulierung



**Einstellgriff**

zu gewährleisten. Greifen Sie hierzu auch auf Erfahrungen zurück. Eine richtige Mischung kann man durch eine leichte Verfärbung am Austritt aus der Strahldüse erkennen.

### 4.3.3 Unterdruck in der Rückgewinnung

Der richtige Druck hängt von der Größe des Rückgewinnungssystems und der Art, der Größe und dem Gewicht des Strahlmittels ab. Stellen Sie den Druck durch Öffnen (Griff waagrecht) oder Schließen (Griff senkrecht) des Einlassdämpfers der Strömungsklappe am Patronenstaubfilter ein. Wenn die Strömungsklappe nicht weit genug geöffnet ist,



werden nicht genug Feinpartikel entfernt, was zu staubigem Strahlmittel, schlechter Sicht und möglicherweise zu Verstopfen im Förderschlauch führt.

Wenn die Strömungsklappe zu weit geöffnet ist, könnte es zum Übertritt von noch brauchbarem Strahlmittel in den Staubabscheider kommen, was einen erhöhten Verbrauch zur Folge hat. Öffnen Sie die Klappe also nur so weit, dass der Staub entfernt wird, ohne dass Strahlmittel übertritt.

#### **4.3.4 Unterdruck in der Kabine**

Nachdem der Einlass anfangs wie in Abschnitt 4.1.5 eingestellt wurde, muss er nur selten nachgeregelt werden. Diese Grundeinstellung erzeugt einen Unterdruck von etwa 50% bis 75% in der Arbeitskammer der Kabine.

Zum Verstellen öffnen Sie den Einlassdämpfer, um den Unterdruck zu vermindern, oder schließen Sie ihn, um den Unterdruck zu erhöhen. Verwenden Sie die Handschuhe als Anzeiger für den richtigen Kabinendruck. Die Handschuhe sollten sich bei eingeschalteter Absaugung aufblasen, aber nicht vom Kabinenrost abheben.

#### **4.3.5 Türsicherung**

Die Türsicherungen unterbrechen den Strahlregelkreislauf, wenn die Türen geöffnet sind. Um den Strahlvorgang zu ermöglichen, müssen die Türschalter einschalten, wenn die Türen geschlossen sind. Die Türsicherungen werden im Werk eingestellt und benötigen normalerweise keine Einstellung vor Ort, außer wenn Teile ausgetauscht wurden.



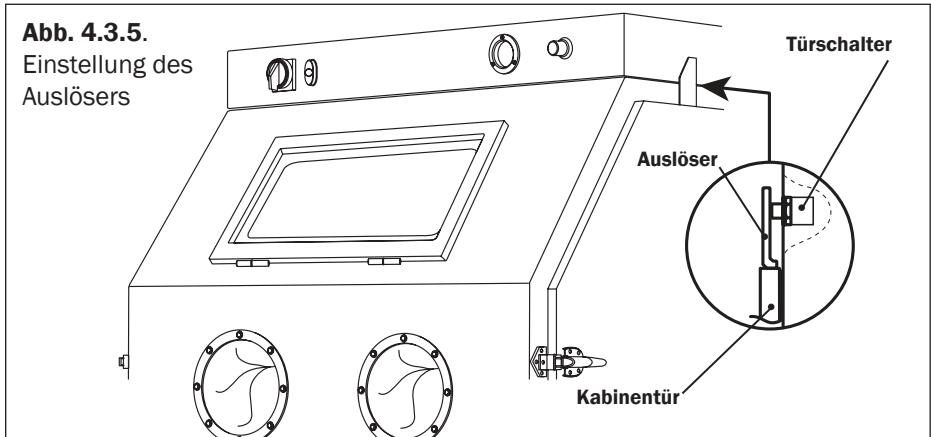
### **ACHTUNG!**

**Versuchen Sie nie, die Türsicherung zu umgehen.**

**Dies könnte zu Verletzungen durch unerwartetes Strahlen führen.**

Um den Auslöser einzustellen, biegen Sie ihn von Hand so, dass er bei vollständig geschlossener Tür den Schalter betätigt.

Überprüfen Sie die Funktion sowohl mit offenen als auch mit geschlossenen Türen. Richten Sie die Düse nicht auf die Tür und öffnen Sie die Tür nur soweit, dass der Schalter nicht schließt. Die Türschalter sollten den Strahlvorgang unterbinden, wenn die Türen geöffnet werden und das Strahlen nur bei geschlossenen Türen zulassen.



**BEACHTEN SIE:** Unterdruck in der Kabine kann dazu führen, dass sich die Türen nach innen biegen. Die Tests sollten bei laufender Absaugung durchgeführt werden.

#### 4.3.6 Impulsdruck

Stellen Sie den Impulsdruck am Regler, der am Einlass angebracht ist, ein. Beginnen Sie mit einer Einstellung von 4,5 bar.

Wenn diese Impulse die Patrone nicht ausreichend reinigen, erhöhen Sie den Druck in 0,5 bar Schritten bis höchstens 6,0 bar. Eine höhere Impulsstärke könnte die Filterpatrone beschädigen. Wenn sich nach der Erhöhung des Drucks Staub an der Patrone anlagert, verändern Sie die Impulsabstände.

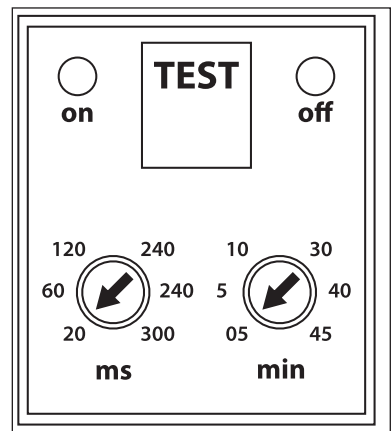
#### 4.3.7 Timer

Stellen Sie die Impulslänge und Häufigkeit am Timer ein (Position siehe Zeichnung 2).

Verwenden Sie die ON Skala zum Einstellen der Impulslänge und die OFF Skala zur Einstellung der Zeit zwischen den Impulsen. Grundeinstellung:

**Impulslänge** (ON Skala) - 60 ms (bei 4.5 bar Impulsstärke)

**Zeitraum zwischen den Impulsen** (OFF Skala) - 5 min.



**Abb. 4.3.7.** Einstellung der Impulsdauer und der Impulsintervall

# 5. Wartung

## 5.1. Laufende Wartung

### 5.1.1 Strahlmitteldosierventil

Überprüfen Sie regelmäßig das Strahlmitteldosierventil auf Verschleiß.. Um eine lange Lebensdauer zu ermöglichen, überprüfen Sie regelmäßig die innere Gummiverkleidung auf Verschleiß, und ersetzen Sie diese wenn erforderlich.

### 5.1.2 Staubbehälter

Leeren Sie den Staubbehälter regelmäßig. Überprüfen Sie den Behälter mindestens einmal am Tag oder wenn Sie Strahlmittel nachfüllen. Passen Sie dann die Häufigkeit der Überprüfung der Nutzung der Kabine und der Verunreinigung und Bröckeligkeit des Strahlmittels an.

### 5.1.3 Grobfilter/Sieb der Rückgewinnung

Das Sieb ist durch die Tür des Rückgewinnungssystems zugänglich. Entnehmen und entleeren Sie das Sieb täglich oder wenn Sie Strahlmittel nachfüllen (bei ausgeschalteter Absaugung). Falls beim Strahlen mehr Schmutz anfällt, leeren Sie das Sieb häufiger. Betreiben Sie die Maschine nicht ohne das Sieb.

### 5.1.4 Luftfilter

Die Kabine ist mit einem manuell entleerbaren Luftfilter ausgerüstet. Entleeren Sie den Filter mindestens einmal täglich oder häufiger, falls notwendig, oder wenn Sie bemerken, dass feiner Nebel aus der Düse austritt. Feuchte Luft behindert den Strahlmittelfluss. Falls weiterhin Feuchtigkeit auftritt, kann es notwendig sein, einen Lufttrockner vorzuschalten.

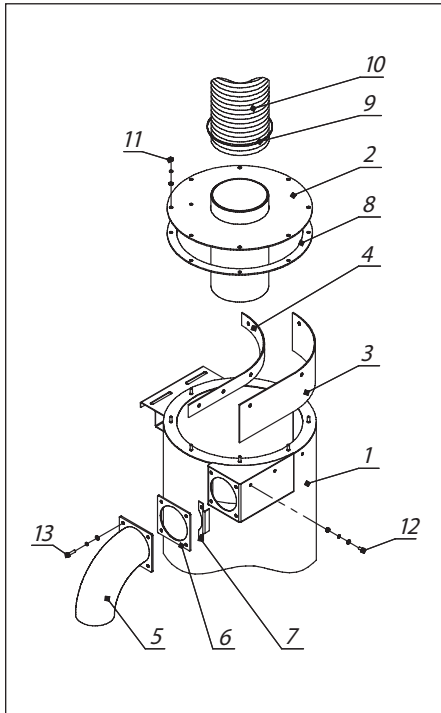
### 5.1.5 Strahlmittelschlauch

Um Arbeitsunterbrechungen zu vermeiden, überprüfen Sie den Strahlmittelschlauch auf dünne Stellen, besonders entlang des Außenradius.

### 5.1.6 Strahlmittelschlauch und Kupplungen

Überprüfen Sie den Strahlmittelschlauch auf dünne Stellen entlang des Außenradius, die auf einen erhöhten Verschleiß deuten, um Durchschlagslöcher und daraus resultierende Arbeitsunterbrechungen zu vermeiden. Überprüfen Sie auch die Schlauchverbindungen und Verbindungskrümmen auf Leckagen und Verschleiß.

### 5.1.7 Austausch des Gummischutzes am Zyklonabscheider



Ein Gummischutz (3) verhindert Schäden an den Wänden des Zyklonabscheiders (1) durch schleifende Partikel, die entstehen, wenn die Strahlmittel-Luft-Gemisch in den Abscheider gelangt. Die Blende sollte regelmäßig auf Verschleiß und Beschädigungen geprüft werden. Lösen Sie die Schelle (9), trennen Sie den Schlauch (10) vom Flansch (2), lösen Sie die Schrauben (11) und entfernen Sie den Flansch (2) vom Abscheider (1). Überprüfen Sie den Zustand des Gummischutzes (3). Um den Gummischutz auszutauschen, lösen Sie die Schrauben (12)(13) und entfernen Sie den Gummischutz (3), den Streifen (4), das Befestigungsteil (7) und den Rohrbogen (5). Bauen Sie den Zyklonabscheider in umgekehrter Reihenfolge wieder zusammen und ersetzen Sie ggf. die Dichtungen (8)(6).

**Abb. 5.1.7** Austausch des Gummischutzes am Zyklonabscheider

## 5.2. Wartung

### 5.2.1 Handschuhe

Für eine komfortable Bedienung ist die Kabine mit speziellen, statikableitenden Handschuhen ausgestattet. Da die Handschuhe abnutzen, ist es notwendig, sie regelmäßig zu ersetzen. Ein erstes Zeichen von Abnutzung können häufige statische Stromschläge sein.

Die Handschuhe sind mit Metallschellen an der Innenseite der Kabine befestigt. Um sie zu ersetzen, lösen Sie die Schellen mit einem Schraubendreher, tauschen Sie die Handschuhe aus und ziehen Sie die Schellen wieder fest.

### 5.2.2 Strahldüse

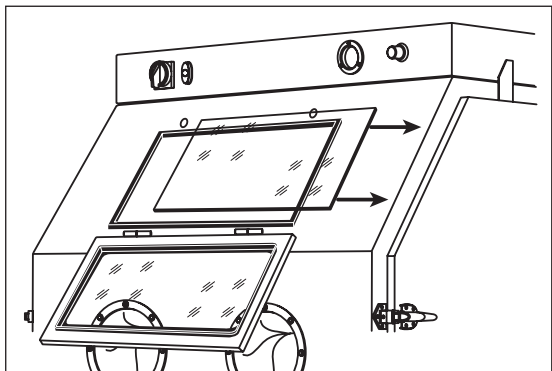
Ersetzen Sie die Düse wenn sich der Durchmesser um max. 2mm vergrößert hat, oder eher, falls der Druck merkbar nachlässt. Die Düsenhalterdichtung auf Verschleiß prüfen und wenn nötig austauschen.

### 5.2.3 Ersetzen der Verschleißglasscheibe

Entfernen Sie die beiden Muttern am oberen Rand des Fensterrahmens und schwenken Sie den Rahmen auf.

Drücken Sie durch die Türöffnung von hinten an die zu ersetzende Scheibe, um Sie nach vorne abzunehmen. Überprüfen Sie beide Fensterdichtungen, die am Fensterrahmen und die an der Kabine. Falls eine Dichtung beschädigt ist, ersetzen Sie sie wie in Abschnitt 5.2.5. beschrieben.

**Abb. 5.2.3.** Ersetzen der Verschleißglasscheibe



## 5.2.4 Ersetzen der Scheibe des Sichtfensters



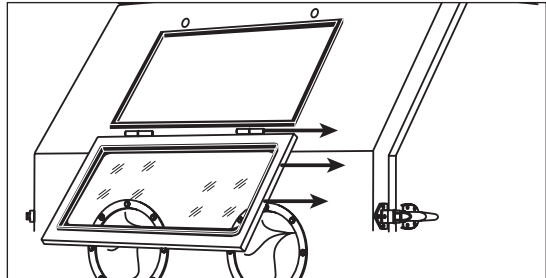
### ACHTUNG!

Verwenden Sie keine normalen Glasscheiben als Ersatz für das Sichtfenster, es könnte beim Aufprallen von Teilen bersten und schwere Verletzungen verursachen.

Verwenden Sie nur original vom Hersteller zugelassenes, beschichtetes Sicherheitsglas.

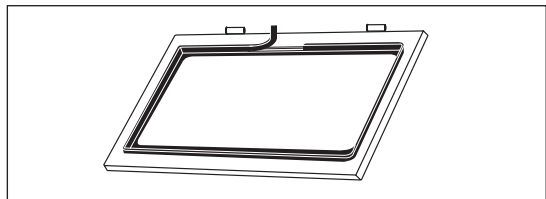
Entfernen Sie die beiden Muttern am oberen Rand des Fensterrahmens und schwenken Sie den Rahmen auf. Entfernen Sie die Fensterscheibe wie in Bild 7, um Glasbruch zu vermeiden.

**Abb. 5.2.4.1.** Entfernen der Fensterrahmen



Entfernen Sie das alte Fenster durch Herausziehen des Fensterprofilgummis. Setzen Sie das Fensterprofil in die Fensteröffnung ein, indem Sie den engen Schlitz über die Metallkante der Öffnung stülpen.

**Abb. 5.2.4.2.** Ersetzen der Scheibe des Sichtfensters



Die Profilenen sollten in der Mitte einer geraden Seite aufeinander treffen. Die Enden sollten aufeinander drücken, damit sie dicht abschließen. Installieren Sie nun von vorne das Sichtfenster in der breiten Nut des Profils.

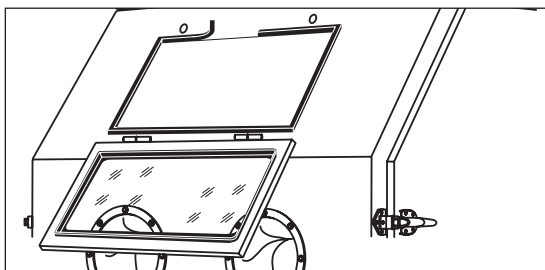
## 5.2.5 Ersetzen der Fensterdichtungen

Ersetzen Sie die Dichtungen im Fensterrahmen und am Kabinenfenster beim ersten

Anzeichen, dass Stoffe am Fenster austreten, oder wenn die Dichtungen beschädigt zu sein scheinen. Überprüfen Sie die Dichtungen, wenn Sie die Scheibe des Sichtfensters wechseln. Nehmen Sie das Fenster und den Fensterrahmen wie in Abschnitt 5.2.4 ab. Entfernen Sie das alte Dichtungsmaterial komplett und reinigen Sie die Oberflächen an der Kabine und am Fensterrahmen.

Ziehen Sie etwas von der Schutzfolie vom 3x15 mm -Dichtstreifen ab und kleben Sie das Ende der Dichtung in der Mitte der Fensteroberkante an, wie in Abbildung 9 dargestellt. Ziehen Sie dann schrittweise die Schutzfolie weiter ab und drücken Sie die Dichtung für gute Klebewirkung fest an. Arbeiten Sie sich am Radius der Ecken entlang und schneiden Sie die Dichtung so ab, dass die Enden mit etwas Druck aufeinander stoßen und dicht abschließen.

**Abb. 5.2.5.** Ersetzen der Fensterdichtungen



### 5.2.6 Filterpatronenwechsel



## **ACHTUNG!**

**Tragen Sie bei Wartungsarbeiten an staubbelasteten Bereichen der Kabine oder des Staubabscheiders und beim Leeren des Staubbehälters immer geeigneten und zugelassenen Atemschutz und Augenschutz, andernfalls kann es zu schweren Augenreizungen und schweren bis tödlichen Lungenerkrankungen kommen.**

**Die Giftigkeit und das Gesundheitsrisiko hängen vom Strahlmittel und dem beim Strahlen entstehenden Staub ab.**

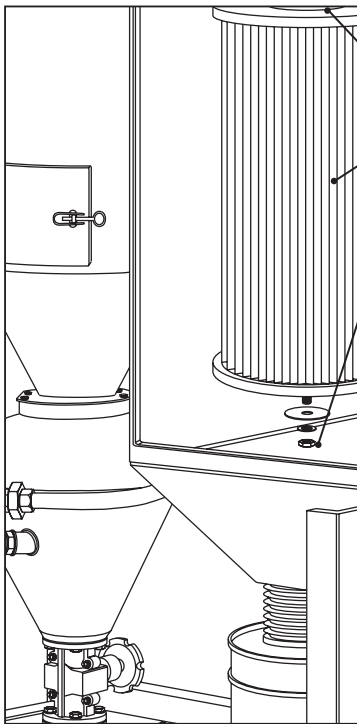
**Der Atemschutz muss für den entstehenden Staub zugelassen sein.**

**Identifizieren Sie alle beim Strahlen freiwerdenden Materialien und besorgen Sie sich Sicherheitsdatenblätter für das Strahlmittel.**

Eingang des Impulsreinigers ab. Lösen Sie die Flügelmutter und nehmen Sie die Staubabscheidertür ab.

Entfernen Sie die Haltemutter, Unterlegscheibe und Dichtung. Um den Filter zu entnehmen, schieben Sie ihn gerade nach unten von der Haltestange herunter.

Reinigen Sie alle Teile, die wieder verwendet werden, besonders im Dichtungsbereich.



**Abb. 5.2.6.** Filterpatronenwechsel

**Patronenfilter-Dichtung**

**Patronenfilter**

**Flügelmutter**

Kratzen Sie eventuelle Reste von Dichtungsmaterial im Dichtungsbereich ab.

Installieren Sie die neue Filterpatrone und Dichtung. Ziehen Sie die Haltemutter so fest an, bis die Patrone sich nicht mehr von Hand bewegen lässt. Ziehen Sie die Mutter dann noch eine ganze Umdrehung weiter an.

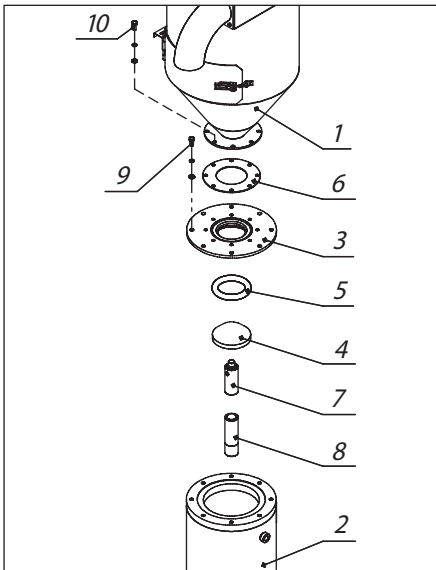
Überprüfen Sie die Dichtung der Staubabscheidertür auf ihren Zustand und ersetzen Sie sie, falls ihr Zustand keine vollständige Abdichtung mehr gewährleistet. Bringen Sie die Tür wieder an. Nehmen Sie die Patrone in Betrieb wie in Abschnitt 5.2.7.

### **5.2.7 Inbetriebnahme einer neuen Filterpatrone**

Neue Filterpatronen müssen vorgealtert werden. Dazu lässt man eine Staubschicht an dem Filter entstehen, bevor man die Impulsreinigung anschaltet. Um die Impulsreinigung abzuschalten, drehen Sie den Impulsdruckregler aus (auf 0 bar). Betreiben Sie dann die Kabine ohne Impulsreinigung etwa zwei Stunden lang oder bis die Sicht abnimmt, je nachdem, was zuerst eintritt. Stellen dann Sie den Impulsdruckregler auf 4,5 bar um die Impulsreinigung zu starten.



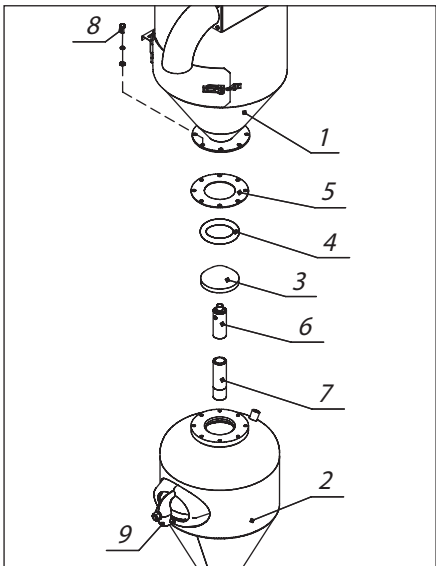
### 5.2.8 Ersetzen des Ventilsitzes CAB-110



**Abb. 5.2.8.** Ersetzen des Ventilsitzes CAB-110

Um das Pop-up-Ventil (4) und den Ventilsitz (5) auszutauschen, muss der Flansch des Strahlkessels (3) vom Flansch des Zyklonabscheiders (1) getrennt werden. Lösen Sie hierzu die Schrauben (10) und trennen Sie den Strahlkessel (2) vorsichtig über den Flansch (3) vom Abscheider (1). Überprüfen Sie den Ventilsitz (5) auf Verschleiß und Beschädigungen. Entfernen Sie den abgenutzten Ventilsitz ggf. mithilfe eines Schlitzschraubendrehers, um den zu ersetzen. Lösen Sie die Schrauben (9) und entfernen Sie den Flansch (3) vom Strahlkessel (2). Entfernen Sie das Ventil (4) und das Führungsrohr (7) vom Rohr (8) und lösen Sie das Ventil (4) vom Führungsrohr (7). Schrauben Sie das neue Ventil (4) auf das Führungsrohr (7), bauen Sie den Behälter in umgekehrter Reihenfolge wieder zusammen und setzen Sie ihn ein. Ersetzen Sie ggf. die Dichtung (6).

### 5.2.9 Ersetzen des Ventilsitzes CAB-135



**Abb. 5.2.9.** Ersetzen des Ventilsitzes CAB-135

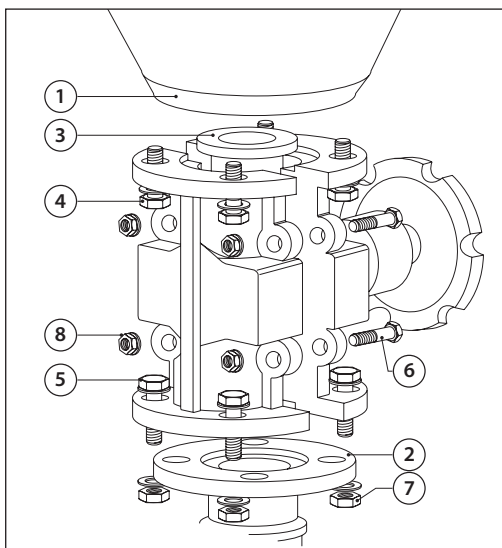
Um das Pop-up-Ventil (3) und den Ventilsitz (4) auszutauschen, muss der Sandstrahlkessel (2) vom Zyklonabscheider (1) getrennt werden. Lösen Sie hierzu die Schrauben (8) und trennen Sie den Behälter (2) vorsichtig vom Abscheider (1). Prüfen Sie den Ventilsitz (4) auf Verschleiß und Beschädigungen. Entfernen Sie den abgenutzten Ventilsitz ggf. mithilfe eines Schlitzschraubendrehers, um den zu ersetzen. Schrauben Sie die Mutter von der Zugangsöffnung (9) ab, halten Sie die

Abdeckung der Zugangsöffnung am Gewindeteil fest und entfernen Sie die Abdeckung von der Zugangsöffnung. Schrauben Sie über die Zugangsöffnung das Rohr (7) ab, halten Sie dabei das Führungsrohr (6) und das Ventil (3) fest und entfernen Sie diese Bauteile vorsichtig vom Sandstrahlkessel (2). Lösen Sie das Ventil (3) vom Führungsrohr (6). Schrauben Sie das neue Ventil (3) auf das Führungsrohr (6), bauen Sie den Sandstrahlkessel in umgekehrter Reihenfolge wieder zusammen und setzen Sie ihn ein. Ersetzen Sie ggf. die Dichtung (5).

### 5.2.10 SGV Gummieinsatz Austausch

Der Gummieinsatz im SGV-Strahlmittelventil wird während des Betriebs auf Abrieb beansprucht, und muss bei hohem Verschleiß und Abrieb ersetzt werden. Um den Gummieinsatz zu ersetzen, lockern Sie die Schrauben an dem oberen Flansch (4) und trennen Sie das SGV-Strahlmittelventil vom Strahlkessel(1). Lösen Sie die Mutter (7) von den Schrauben (5) am unteren Flansch (2) und trennen Sie das SGV-Strahlmittelventil vom Flansch. Lockern Sie die Mutter (8) von den Schrauben (6) und ziehen Sie die zwei Hälften des Ventils auseinander. Entfernen Sie den alten Gummieinsatz, und ersetzen Sie diesen mit einem neuen Gummieinsatz. Der Zusammenbau erfolgt in umgekehrter Reihenfolge.

**Abb. 5.2.10.** SGV Gummieinsatz Austausch



# 6. Störungsbeseitigung



## **ACHTUNG!**

**Um schwere Verletzungen zu vermeiden, beachten Sie folgende Regeln bei der Störungsbeseitigung:**

- . Drehen Sie die Luftzufuhr ab und lösen Sie die Schläuche.**
- . Falls zur Überprüfung Luft benötigt wird, holen Sie unbedingt die Hilfe einer zweiten Person hinzu, um:**
  - die Düse festzuhalten.**
  - das Fußpedal zu bedienen.**
- . Umgehen Sie nie das Fußpedal und verkeilen Sie es nie in Arbeitsposition.**
- . Umgehen Sie nie das Türsicherungssystem.**

## 6.1. Schlechte Sicht

**6.1.1** Schlechte Sicht könnte durch eine verschmutzte Filterpatrone verursacht werden. Leeren Sie den Staubbehälter regelmäßig. Überprüfen Sie die Filterpatrone und ersetzen Sie sie falls notwendig.

**6.1.2** Der Motor dreht sich rückwärts. Der Motor sollte sich in die durch den Pfeil am Gehäuse angegebene Richtung drehen. Falls er sich nicht in die richtige Richtung dreht, schalten Sie den Strom ab und nehmen Sie die Anschlussleitung vom Netz. Tauschen Sie dann die Anschlüsse wie auf der Motorplatte/plakette angegeben.

**6.1.3** Die Verwendung von weichem Strahlmittel, das schnell zerschlägt, oder zu feines oder verbrauchtes Strahlmittel kann zu schlechter Sicht führen.

**6.1.4** Die Strömungsklappe am Auslass ist zu weit geschlossen und behindert den Luftstrom. Stellen Sie Kabinendruck ein wie in Abschnitt 4.3.4 erläutert.

**6.1.5** Die Strömungsklappe am Einlass muss weiter geöffnet werden. Ein zu großer Widerstand am Einlass behindert die Luftbewegung in der Kabine. Öffnen Sie die Strömungsklappe wie in Abschnitt 4.3.4.

**6.1.6** Durch Abnutzung ist ein Loch im Schlauch zwischen Kabinenauffangtrichter und Rückgewinnung oder zwischen Auslass der Rückgewinnung und Einlass des Staubabscheiders entstanden. Ersetzen Sie den Schlauch und verlegen Sie ihn mit so wenig Kurven wie möglich, um Verschleiß zu vermeiden.

**6.1.7** Die Tür der Rückgewinnung ist offen. Die Tür der Rückgewinnung muss während des Betriebs der Kabine geschlossen sein.

**6.1.8** Überprüfen Sieden Schlauch zwischen Kabinenauffangtrichter und Einlass der Rückgewinnung auf Verstopfung.

## **6.2. Außergewöhnlich hoher Strahlmittelverbrauch**

**6.2.1** Die Tür der Rückgewinnung ist offen, nicht richtig angebracht, oder die Dichtung ist abgenutzt. Dadurch gelangt Luft in die Rückgewinnung, was dazu führt, dass Strahlmittel in den Staubabscheider transportiert wird. Verwenden Sie das System nur mit geschlossener Tür.

**6.2.2** Durch Abnutzung ist ein Loch in der Rückgewinnung entstanden oder eine Schweißnaht ist undicht geworden. Überprüfen Sie die gesamte Rückgewinnung auf Undichtigkeiten, durch die Luft einströmt.

**6.2.3** Die Auslassklappe ist zu weit geöffnet. Stellen Sie den Unterdruck wie in Abschnitt 4.3.4. beschrieben ein.

**6.2.4** Es wird zu weiches Strahlmittel verwendet, das schnell zerschlägt, oder das Strahlmittel ist zu fein oder schon abgenutzt.

**6.2.5** Der Strahl Druck ist zu hoch für das verwendete Strahlmittel, so dass es schneller zerschlägt.

## **6.3. Verminderte Strahlarbeitsleistung**

**6.3.1** Zu wenig Strahlmittel reduziert den Strahlmittelfluss. Überprüfen Sie die Menge und füllen Sie gegebenenfalls Strahlmittel nach.

**6.3.2** Falsche Einstellung des Dosierventils. Stellen Sie es wie in Abschnitt 4.3.2. angegeben ein.

**6.3.3** Verminderter Luftdruck. Dies könnte durch einen nicht richtig funktionierenden Regler, ein verschmutztes Filterelement im Luftfilter, ein teilweise geschlossenes Luftventil, eine undichte Zuleitung oder gleichzeitige Verwendung von anderen Luftdruckwerkzeugen hervorgerufen werden.

**6.3.4** Verstopfte Strahlschlauch oder Nozzle. Ein Verstopfen kann auftreten als Resultat von fehlendem Grobfiltersieb in der Rückgewinnung oder falscher Einstellung des Dosierventils, so dass der Strahlmittelfluss zu zäh ist. Überprüfen Sie die Einstellung wie in Abschnitt 4.3.2.

**6.3.5** Abnutzung der Strahldüse. Überprüfen Sie die Strahldüse und ersetzen Sie diese wenn erforderlich.

**6.3.6** Abgenutzter Strahlmittelschlauch. Überprüfen Sie den Schlauch auf Lecks oder weiche Stellen und ersetzen Sie ihn, wenn er abgenutzt oder beschädigt ist.

**6.3.7** Feuchtes Strahlmittel. Häufiges Verklumpen oder Verstopfen im Bereich des Regelventils kann durch Feuchtigkeit verursacht werden. Siehe Abschnitt 5.1.4.

## **6.4. Verstopfte Düse**

**6.4.1** Ein beschädigtes oder fehlendes Sieb in der Rückgewinnung lässt größere Partikel durch, die die Düse verstopfen. Ersetzen Sie das Sieb bzw. setzen Sie es wieder ein.

**6.4.2** Strahlmittelgemisch zu zäh. Verändern Sie das Gemisch wie in Abschnitt 4.3.2 beschrieben.

## **6.5. Nur Luft (kein Strahlmittel) tritt aus der Düse heraus**

**6.5.1** Stellen Sie sicher, dass Strahlmittel in der Maschine vorhanden ist.

**6.5.2** Überprüfen Sie, dass der Hebel des Strahlmitteldosierventils nicht in der „ganz-rechts“-Position ist.

**6.5.3** Überprüfen Sie, dass das Dosierventil nicht durch fremde Gegenstände blockiert wird. Dazu öffnen Sie das Dosierventil vollständig und schließen das Drosselventil. Drücken Sie auf das Fußpedal um Hindernisse herauszublasen. Wird das Problem nicht durch diesen Vorgang gelöst, dann lassen Sie den Druck in der Maschine ab und öffnen das Dosierventil um es auf Fremdkörper zu untersuchen.

**6.5.4** Stellen Sie sicher, dass der Schlauch der zum Membranventil führt nicht beschädigt ist oder Lecke aufweist.

**6.5.5** Das Strahlmitteldosierventil muss gewartet werden. Siehe hierzu Bedienungsanleitung zu Strahlmitteldosierventil.

## **6.6. Weder Strahlmittel noch Luft tritt aus der Düse aus, wenn der Fußschalter betätigt wird**

**6.6.1** Lassen Sie den Druck in der Maschine ab und überprüfen Sie die Düsen auf Hindernisse.

**6.6.2** Überprüfen Sie, dass der Druck in der Strahlmaschine auf Betriebsdruck steigt, in dem Sie das Fußpedal betätigen. Ist dies nicht der Fall, siehe Kapitel 6.8.

**6.6.3** Überprüfen Sie, dass das Strahlmitteldosierventil und Drosselventil geöffnet sind.

## **6.7. Der Strahlvorgang hört nicht auf bei Loslassen des Fußpedals**

**6.7.1** Stellen Sie sicher, dass beim Loslassen Luft aus dem 3-Wegeventil des Fußschalters austritt. Falls das nicht der Fall ist, überprüfen Sie, ob die Leitungen verstopft sind oder der Schalter defekt.

## **6.8. Druck in der Strahlmaschine wird nicht aufgebaut**

**6.8.1** Stellen Sie sicher, dass die Luftversorgung eingeschaltet ist und das Luftversorgungsventil in der „offen“-Position ist.

**6.8.2** Überprüfen Sie, dass das Luftdruckregelventil auf über 3 bar eingestellt ist.

**6.8.3** Die Verriegelung der Kammertüren rastet nicht ein. Um die Türverriegelung einzustellen, siehe Kapitel 4.3.5.

**6.8.4** Überprüfen Sie das Membran Ein/Ausventil auf Verschleiß.

**6.8.5** Überprüfen Sie das Pop-up-Ventil auf Verschleiß und auf eine korrekte Ausrichtung der Komponenten.

**6.8.6** Überprüfen Sie die Steuerungsschläuche auf Undichtheit oder Hindernisse. Überprüfen Sie zusätzlich die Vollständigkeit und Unversehrtheit aller Schläuche und Schlauchverbindungsstücke.

**6.8.7** 3-Wege-Ventil im Fußpedal ist defekt. Überprüfen Sie die Ausrichtung des Pedals und Ein- und ausgangsschläuche.

**6.8.8** Stellen Sie sicher, dass alle Schläuche nach Bild 14. am Fußpedal und Regelventil montiert sind.

## **6.9. Druck wird in der Strahlmaschine nicht oder nur sehr langsam herabgesetzt**

**6.9.1** Wenn das Pedal nicht durchgetreten wird, wird im Normalfall Luft aus dem 3-Wege-Ventil gepustet. Ist dies nicht der Fall, überprüfen Sie den Schalter im Pedal.

**6.9.2** Überprüfen Sie den Ausgangsschlauch vom Pedal zur Kammer auf Verstopfungen.

## **6.10. Überhöhter Strahlmittelfluss**

**6.10.1** Stellen Sie sicher, dass das Drosselventil geöffnet ist.

**6.10.2** Strahlmitteldurchflusseinstellung ist zu hoch. Regeln Sie den Strahlmitteldurchfluss mittels des Strahlmitteldosierventils (siehe Kapitel 4.3.2). Sollte dies jedoch keinen Einfluss auf den Strahlmittelfluss haben, entleeren Sie die Maschine von Strahlmittel, setzen Sie den Druck herab und trennen Sie die Verbindung zur Luftversorgung. Demontieren Sie und überprüfen Sie das Dosierventil auf Verschleiß.

## **6.11. Luftrückstoß im den Strahlmittelschlauch**

**6.11.1** Verstopfte Düse. Nehmen Sie die Düse ab und überprüfen sie.

**6.11.2** Der Luftstrom könnte zu stark für die Düse sein. Siehe Tabelle X.

## **6.12. Statische Stromschläge**

**6.12.1** Die Kabine und/oder der Bediener sind nicht geerdet. Beim Strahlvorgang entsteht statische Elektrizität. Die Strahlkabine muss geerdet sein, um eine statische Aufladung zu vermeiden. Siehe Abschnitt 4.1.

Falls weiterhin Schläge auftreten, könnte es sein, dass sich der Bediener statisch auflädt. Bringen Sie ein kleines Erdungskabel (z.B. mit Armband) zwischen Bediener und Kabine an.

**6.12.2** Vermeiden Sie, Werkstücke vom Gitter hochzunehmen. Statische Elektrizität baut sich im Werkstück auf, wenn sie nicht durch die Metallkabine abgeleitet wird.

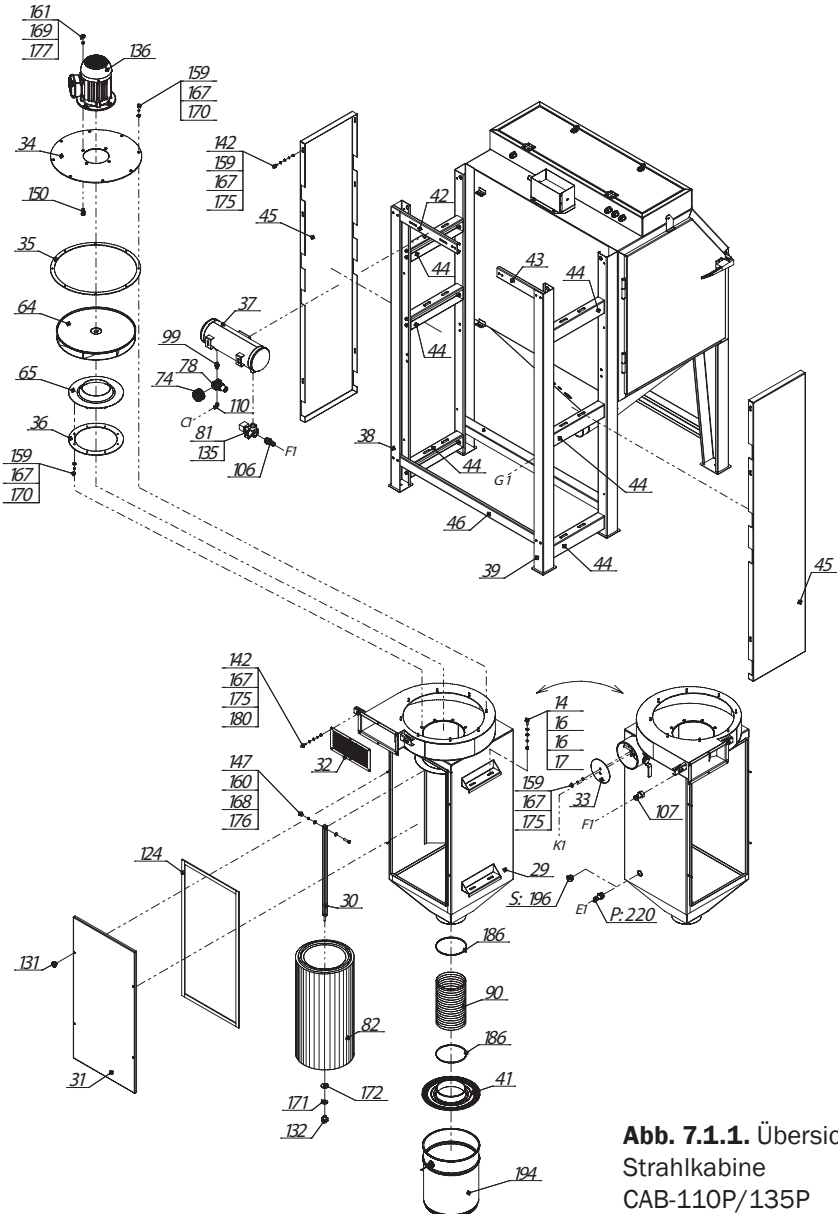
## **6.13. Staub tritt aus dem Staubabscheider aus**

**6.13.1** Beschädigte oder lockere Filterpatrone. Überprüfen Sie die Filterpatrone.

**6.13.2** Fehlerhafte Dichtung an der Staubabscheidertür. Überprüfen Sie die Dichtung und ersetzen Sie sie, falls sie beschädigt ist.

# 7. Ersatzteile

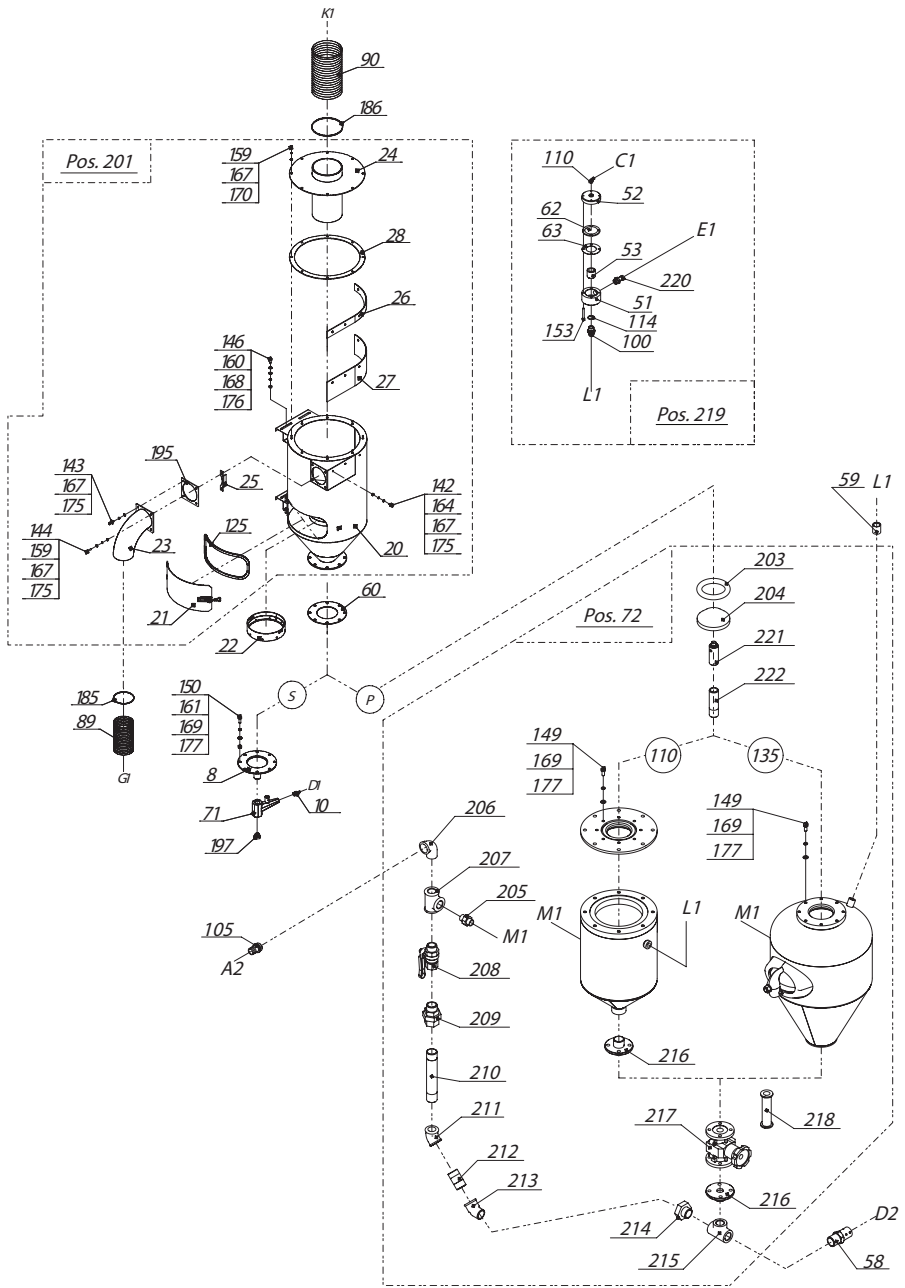
## 7.1. Kabine



**Abb. 7.1.1.** Übersicht  
Strahlkabine  
CAB-110P/135P







<b>HOSES</b>		
<b>Position</b>	<b>Hose</b>	<b>Bracket</b>
A1	88	183
A2	85	184
B1	87	182
C1	91	-
D1	86	183
D2	83	184
E1	84	184
F1	83	184
G1	89	185
K1	90	186

<b>Abb. Nr.</b>	<b>Artikelnr.</b>	<b>Beschreibung</b>	<b>110P</b>	<b>110PD</b>	<b>135P</b>	<b>135PD</b>
1	88000001	Gehäuse	1	1		
	88000002	Gehäuse			1	1
2	83900020	Rahmen	1	1	1	1
3	83400012	Schrank	1	1		
	83400015	Schrank			1	1
4	83100024	Tür für Schrank	1	1		
	83100031	Tür für Schrank			1	1
5	86900008	Platte	1	1	1	1
6	80600030	Winkel	2	2	2	2
7	82600003	Reflektor	1	1	1	1
8	88700002	Konus				
9	83100025	Tür für Strahlkabine rechts	1			
	83100033	Tür für Strahlkabine rechts			1	
10	83100044	Tür für Strahlkabine links	1			
	83100032	Tür für Strahlkabine links			1	
11	82400036	Rahmen	2			
	82400022	Rahmen			2	
12	83100027	Pass-Through Tür für Strahlkabine rechts		1		
	83100035	Pass-Through Tür für Strahlkabine rechts				1
13	83100028	Pass-Through Tür für Strahlkabine links		1		
	83100034	Pass-Through Tür für Strahlkabine links				1
14	88100001	Schieber		2		2
15	82600002	Reflektor		2		2
16	84000002	Gummivorhang		2		2
17	84000003	Gummivorhang		2		2

Abb. Nr.	Artikelnr.	Beschreibung	110P	110PD	135P	135PD
18	82400021	Rahmen		4		
	82400037	Rahmen				4
19	83100026	Tür	1	1	1	1
20	83400013	Zyklon Rückgewinnungssystem, baugerippe	1	1		
	83400016	Zyklon Rückgewinnungssystem, baugerippe			1	1
21	83100029	Zyklon Rückgewinnungssystem, tür	1	1		
	83100036	Zyklon Rückgewinnungssystem, tür			1	1
22	88200001	Sieb	1	1	1	1
23	89900003	Ansaugtopf	1	1	1	1
24	80500023	Zyklon Rückgewinnungssystem, flansch	1	1		
	80500026	Zyklon Rückgewinnungssystem, flansch			1	1
25	81050001	Klemme	1	1	1	1
26	82400029	Rahmen	1	1		
	82400030	Rahmen			1	1
27	84000007	Gummivorhang	1	1		
	84000008	Gummivorhang			1	1
28	88500009	Gummidichtung	1	1		
	88500010	Gummidichtung			1	1
29	83400014	Gehäuse	1	1		
	83400017	Gehäuse			1	1
30	88300001	Welle	1	1	1	1
31	83100030	Tür	1	1		
	83100038	Tür			1	1
32	86400004	Gitter	1	1		
	86400005	Ventilationsgitter			1	1
33	88400001	Schieber	1	1	1	1
34	80500015	Flansch motor	1	1		
	80500016	Flansch motor			1	1
35	88500001	Gummidichtung	1	1		
	88500004	Gummidichtung			1	1
36	88500002	Gummidichtung	1	1		
	88500005	Gummidichtung			1	1
37	88600001	Druckbehälter für Impulsabreinigung	1	1		
	88600002	Druckbehälter für Impulsabreinigung			1	1
38	80300050	Stütze links	1	1		
	80300053	Stütze links			1	1
39	80300051	Stütze rechts	1	1		
	80300052	Stütze rechts			1	1

Abb. Nr.	Artikelnr.	Beschreibung	110P	110PD	135P	135PD
40	88100002	Schieber	1	1	1	1
41	81600019	Stutzen	1	1	1	1
42	81800004	Ausleger	1	1		
	81800009	Ausleger			1	1
43	81800005	Ausleger	1	1		
	81800010	Ausleger			1	1
44	81800006	Ausleger	6	6		
	81800008	Ausleger			6	6
45	81000109	Platte	2	2		
	81000110	Platte			2	2
46	81800007	Ausleger	1	1		
	81800011	Ausleger			1	1
47	88800001	Lochblech	1	1		
	88800003	Lochblech			1	1
48	88800002	Lochblech	1	1		
	88800004	Lochblech			1	1
49	88500003	Gummidichtung	2	2	2	2
50	88300002	Welle			1	1
	88300014	Welle	1	1		
51	83400025	Entleerungsventil, baugerippe	1	1	1	1
52	81100054	Entleerungsventil, haube	1	1	1	1
53	10100001	Entleerungsventil, buchse	1	1	1	1
55	22020001	Stirnlochschlüssel	1	1	1	1
56	87100014	Grid	1	1	1	1
57	87100015	Grid	1	1	1	1
58	85800002	Verschraubung	1	1	1	1
59	81230001	Buchse	1	1	1	1
60	88500007	Gummidichtung	1	1	1	1
61	10115605	Strahlhandschuhe	1	1	1	1
62	29000028	Membran	1	1	1	1
63	33140003	Lampe	2	2	2	2
64	22010102	Lüfterrad	1	1		
	22010202	Lüfterrad			1	1
65	81220003	Düsenverdichter	1	1		
	81220004	Düsenverdichter			1	1
66	10115901	Abblasdüse	1	1	1	1
67	10115300	Handstrahlpistole				

Abb. Nr.	Artikelnr.	Beschreibung	110P	110PD	135P	135PD
68	10115508	Strahldüse				
69	10112571	Strahldüse	1	1	1	1
70	10112200	Düsenhalter für Strahlschlauch	1	1	1	1
71	10115920	Strahlmitteldosierventil				
72	22040002	Strahlgerät, komplett	1	1		
	22040003	Strahlgerät, komplett			1	1
73	51202008	Manometer	1	1	1	1
74	10130404	Manometer	1	1	1	1
75	51202010	Manometer	1	1	1	1
76	51203002	Pneumatische Steuereinheit				
77	51203001	Pneumatische Steuereinheit	1	1	1	1
78	51201001	Druckregler Arbeitsdruck	2	2	2	2
79	51203007	Türsicherungsventil	2	2	2	2
80	51203003	Pneumatischer Fußventil	1	1	1	1
81	51203004	Membranventil Impulsabreinigung	1	1	1	1
82	22070103	Patronenfilter	1	1		
	22070104	Patronenfilter			1	1
83	10112100	Strahlschlauch, 1m	3,2	3,2	3,6	3,6
84	10151002	Pneumatikschlauch, 1m	0,15	0,15	0,15	0,15
85	10151003	Pneumatikschlauch, 1m	1,05	1,05	1,3	1,3
86	41102004	Pneumatikschlauch, 1m				
87	10130900	Pneumatikschlauch, 1m	2	2	2,4	2,4
88	41200001	Pneumatikschlauch, 1m				
89	41101002	Saugschlauch, 1m	1,6	1,6	2,1	2,1
90	41101003	Saugschlauch, 1m	0,9	0,9	1	1
91	41101001	Pneumatikschlauch, 1m	11	11	14	14
92	51204001	Geräuschkämpfer	2	2	2	2
93	51205003	Stopfen				
94	51100015	Druckluftverschraubung	1	1	1	1
95	51100002	Druckluftverschraubung				
96	51100001	Druckluftverschraubung	1	1	1	1
97	52130003	Adapter	1	1	1	1
98	52130001	Adapter	1	1	1	1
99	51600001	Adapter gerade	1	1	1	1
100	51400011	Adapter gerade	1	1	1	1
101	51300002	Verschraubung				
102	51300010	Verschraubung				

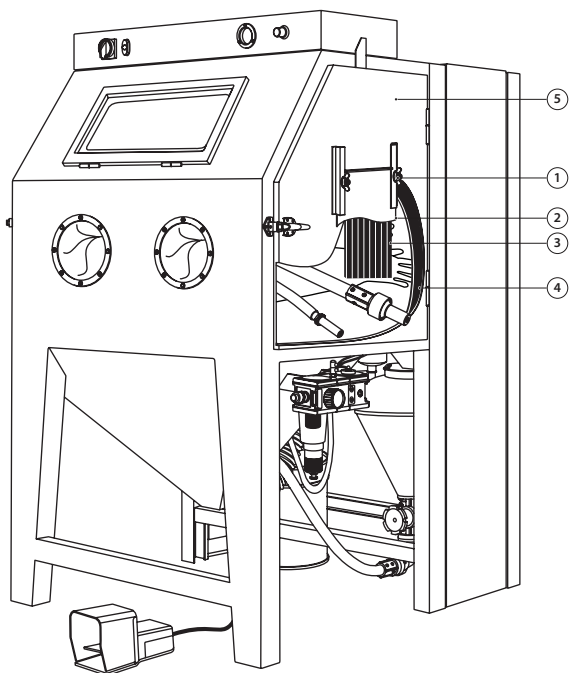
Abb. Nr.	Artikelnr.	Beschreibung	110P	110PD	135P	135PD
103	51300007	Verschraubung				
104	51300008	Verschraubung				
105	51300001	Verschraubung	3	3	3	3
106	51300006	Verschraubung	2	2	2	2
107	51300005	Verschraubung	1	1	1	1
108	51300004	Verschraubung	1	1	1	1
109	51300009	Verschraubung	1	1	1	1
110	51100004	Verschraubung	4	4	4	4
111	51100003	Verschraubung	2	2	2	2
112	51100005	Verschraubung	5	5	5	5
113	51100006	Verschraubung	1	1	1	1
114	67000008	Dichtring Kupfer	1	1	1	1
115	90852088	Gummidurchführung	2	2	2	2
116	90855146	Gummidurchführung	2	2	2	2
117	90855156	Gummidurchführung				
118	90855166	Gummidurchführung				
119	90855176	Gummidurchführung	2	2	2	2
120	90855155	Gummistopfen	2	2	2	2
121	90855175	Gummistopfen				
122	90407002	Dichtung	5,1	5,1	8	8
123	90407004	Dichtung	7	7	5,38	5,38
124	90407005	Dichtung	3	3	12,4	12,4
125	90401001	Dichtung	0,9	0,9	1	1
126	90406001	Dichtung	3,2	3,2	3,2	3,2
127	90202006	Scharnier	2	2	2	2
128	90204011	Türverschuß	2	2	2	2
129	22140004	Flansch	2	2	2	2
130	90204005	Griff	2	6	2	6
131	90204006	Griff	4	4	4	4
132	90204007	Griff	1	1	1	1
133	32060001	Nockenschalter 0-I	1	1	1	1
134	33070001	Doppeldrucktaster EIN / AUS	1	1	1	1
135	32040001	Zeitgeber	1	1	1	1
136	31120004	Elektromotor	1	1		
	31120005	Elektromotor			1	1
137	33270005	Netzstecker	1	1	1	1
138	33030002	Anschluß	3	3	3	3
139	33030012	Anschluß	1	1		

<b>Abb. Nr.</b>	<b>Artikelnr.</b>	<b>Beschreibung</b>	<b>110P</b>	<b>110PD</b>	<b>135P</b>	<b>135PD</b>
140	33030006	Anschluß			1	1
141	61110430	Sechskantschraube	6	6	6	6
142	61110616	Sechskantschraube	22	22	22	22
143	61110620	Sechskantschraube	76	76	76	76
144	61110630	Sechskantschraube	11	11	11	11
145	61110640	Sechskantschraube	2	2	2	2
146	61110820	Sechskantschraube	60	60	60	60
147	61110835	Sechskantschraube	7	7	7	7
148	61110855	Sechskantschraube	1	1	1	1
149	61111025	Sechskantschraube	8	8	8	8
150	61111030	Sechskantschraube	4	4	4	4
151	62310416	Zylinderkopfschraube	8	8	8	8
152	62310420	Zylinderkopfschraube	6	6	6	6
153	62110860	Zylinderkopfschraube	4	4	4	4
154	62310616	Zylinderkopfschraube	8	8	8	8
155	62510420	Zylinderkopfschraube	3	3	3	3
156	62804213	Zylinderkopfschraube	8	8	8	8
157	63110004	Sechskantmutter	25	25	25	25
158	63110005	Sechskantmutter	7	7	7	7
159	63110006	Sechskantmutter	65	65	65	65
160	63110008	Sechskantmutter	50	50	50	50
161	63110010	Sechskantmutter	8	8	16	16
162	63210006	Sechskantmutter	2	2	2	2
163	63210008	Sechskantmutter	1	1	1	1
164	63300006	Sechskantmutter	23	23	23	23
165	10115316	Federscheibe	12	12	12	12
166	64310005	Federscheibe				
167	64310006	Federscheibe	56	56	56	56
168	64310008	Federscheibe	50	50	50	50
169	64310010	Federscheibe	8	8	12	12
170	64210006	U-Scheibe	39	39	39	39
171	64210008	U-Scheibe	2	2	2	2
172	64210012	U-Scheibe	1	1	1	1
173	64110004	U-Scheibe	12	12	12	12
174	64110005	U-Scheibe	7	7	7	7
175	64110006	U-Scheibe	78	78	78	78
176	64110008	U-Scheibe	111	111	111	111
177	64110010	U-Scheibe	19	19	24	24
178	64400005	U-Scheibe	6	6	6	6
179	66010001	Niet	8	8	8	8



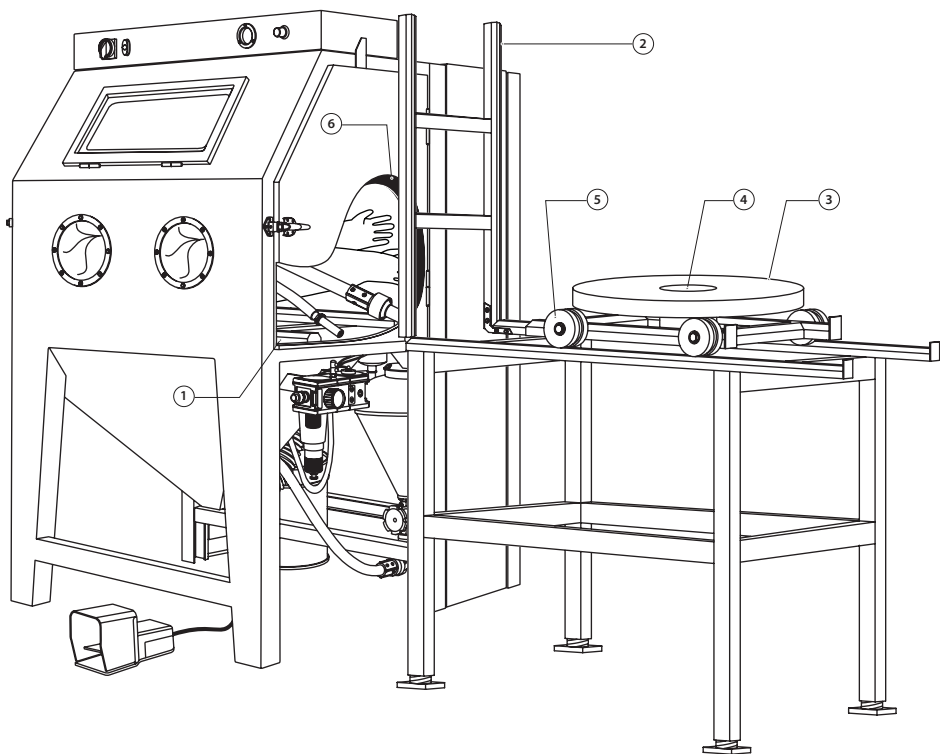
Abb. Nr.	Artikelnr.	Beschreibung	110P	110PD	135P	135PD
180	66010002	Niet	52	52	52	52
181	66010003	Niet	6	6	6	6
182	90100005	Xschlauchschele	2	2	2	2
183	90100006	Xschlauchschele				
184	90100007	Xschlauchschele	6	6	6	6
185	90100002	Xschlauchschele	2	2	2	2
186	90100001	Xschlauchschele	4	4	4	4
187	90100003	Xschlauchschele	2	2	2	2
188	90402001	Schallschutz, 1m <sup>2</sup>	0,76	0,76	1,8	1,8
189	90201003	Schloss	2	2	2	2
190	90204001	Griff	2	2	2	2
191	22030001	Sicherheitsglass	1	1	1	1
192	22030002	Prallscheibe	1	1	1	1
193	22030003	Lichtglas	1	1	1	1
194	81240001	Staubbehälter	1	1	1	1
195	88500008	Gummidichtung	1	1	1	1
196	52030001	Stopfen				
197	52030002	Stopfen				
198	10115810	Wandverkleidung-Satz	1			
	10115811	Wandverkleidung-Satz			1	
199	10115808	Wandverkleidung-Satz		1		
	10115809	Wandverkleidung-Satz				1
200	90204004	Griff		8		8
201	10115817	Zyklon Rückgewinnungs-system SET	1	1		
	10115818	Zyklon Rückgewinnungs-system SET			1	1
202	10115801	Tür SET (durchlaufend)		1		
	10115802	Tür SET (durchlaufend)				1
203	10110950	Dichtungsring	1	1	1	1
204	10110960	Kesseldruckventil	1	1	1	1
205	10110939	Nippel	1	1	1	1
206	10110941	Bogen	1	1	1	1
207	10115319	T-Stück	1	1	1	1
208	10110938	Kugelventil	1	1	1	1
209	10115320	Verschraubung gerade	1	1	1	1
210	10115321	Rohr	1	1	1	1
211	10115322	Bogen	1	1	1	1
212	10115323	Rohr	1	1	1	1
213	10115324	Bogen	1	1	1	1
214	10115325	Reduzierung	1	1	1	1
215	10110948	T-Stück	1	1	1	1

<b>Abb. Nr.</b>	<b>Artikelnr.</b>	<b>Beschreibung</b>	<b>110P</b>	<b>110PD</b>	<b>135P</b>	<b>135PD</b>
216	10110949	Gewindeflansch	2	2	1	1
217	10110860	Strahlmittelventil	1	1	1	1
218	10110947	Gummeinsatz	1	1	1	1
219	10115917	Entleerungsventil	1	1	1	1
220	85800006	Verschraubung	2	2	2	2
221	10110955	Führungsrohr mit Ventilsitz	1	1	1	1
222	73025120	Rohr	1	1	1	1



**Abb. 7.2.3.** Sonderausführung CAB-110PD / 135-PD

Abb. Nr.	Artikelnr.	Beschreibung	Betrag
1	90204004	Griff	8
2	88100001	Schieber	2
3	82600002	Reflektor	2
	84000002	Gummivorhang	2
	84000003	Gummivorhang	2
4	10115810	Wandverkleidung-Satz, Gummi, schwarz, für CAB-110	1
	10115811	Wandverkleidung-Satz, Gummi, schwarz, für CAB-135	1
5	10115801	Tür SET (durchlaufend)	1
	10115802	Tür SET (durchlaufend)	1



**Abb. 7.2.4.** Sonderausführung CAB-110PT / 135-PT

Abb. Nr.	Artikelnr.	Beschreibung	Betrag
1	10115705	Schienen-System innen, für CAB-110	1
	10115706	Schienen-System innen, für CAB-135	1
2	10115703	Schienen-System außen, für Drehtische mit Ø 500 mm	1
	10115704	Schienen-System außen, für Drehtische mit Ø 800 mm	1
3	10115707	Drehtisch Ø 500mm, mit Wagen	1
	10115708	Drehtisch Ø 800mm, mit Wagen	1
4	22090001	Gehäuse-Lager, universell für Drehtische Ø 500mm/Ø 800mm	1
5	81160001	Spurkranz-Rad, universell für Drehtische Ø 500mm/Ø 800mm	1
	22090002	Lager	2
6	10115810	Wandverkleidung-Satz, Gummi, schwarz, für CAB-110	1
	10115811	Wandverkleidung-Satz, Gummi, schwarz, für CAB-135	1

## 7.3. Pneumatisches Schema

**Abb. 7.3.** Pneumatischer Schaltplan CAB-110P/ 135P

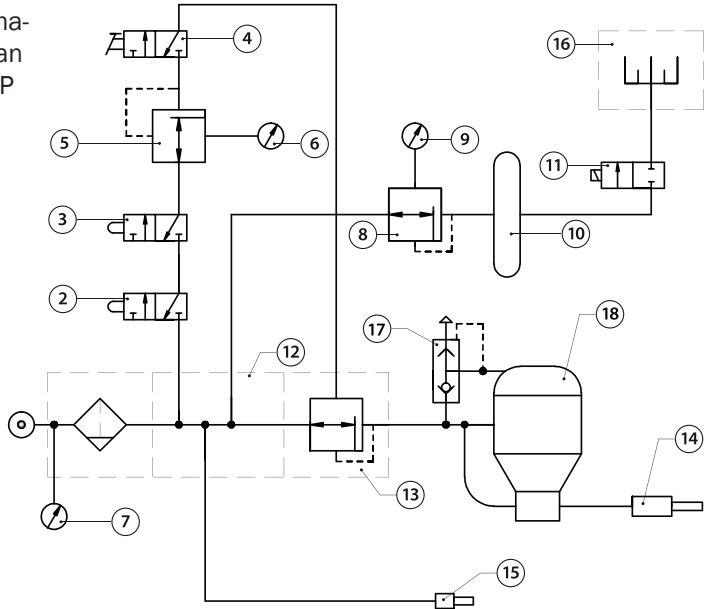


Abb. Nr.	Artikelnr.	Beschreibung
2	51203007	Türsicherungsventil
3	51203007	Türsicherungsventil
4	51203003	Pneumatischer Fußventil
5	51201001	Druckregler
6	51202010	Einbau-Manometer
7	10130404	Manometer
8	51201001	Druckregler
9	51202008	Manometer
10	88600001	Druckbehälter für Impulsabreinigung
11	51203004	Membranventil Impulsabreinigung
12	51100001	Druckluftverschraubung
13	51203001	Druckregler
14	10112571	Venturi Strahldüse
15	10115901	Abblasdüse, Gummi
16	22070103	Patronenfilter
	22070104	Patronenfilter
17	15917	Entleerungsventil, komplett
18	22040002	Strahlkessel
	22040003	Strahlkessel

## 7.4. Elektrischer Schaltplan

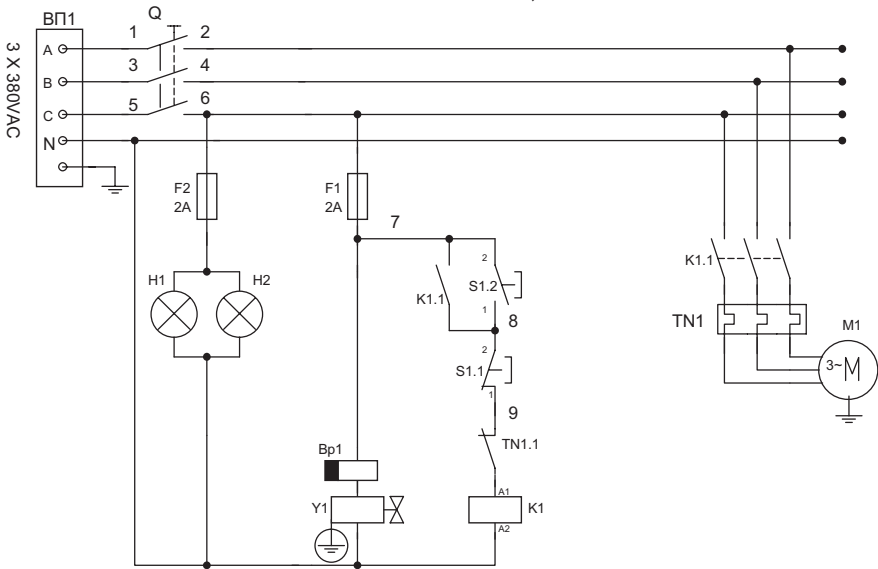


Abb. 7.4. Elektrischer Schaltplan CAB-110P/ 135P

Abb. Nr.	Artikelnr.	Beschreibung
S1	33070001	Doppeldrucktaster EIN / AUS
HS	32060001	Nockenschalter 0-I
M	31120004	Elektromotor 1,10 kW
	31120005	Elektromotor 1,50 kW
K1.1	35010011	Schütze 3-polig
H1	33140003	Beleuchtungseinheit
Bp	32040001	Zeitschalter für Patronenreinigung
Y1	51203004	Membranventil Impulsabreinigung
TH1	35020009	Thermische Motorschutzrelai
F1	32080001	Sicherung

<b>1. Техника безопасности</b>	<b>96</b>
<b>2. Комплектация и описание кабины</b>	<b>97</b>
<b>3. Общие сведения</b>	<b>102</b>
<b>4. Наладка, эксплуатация и остановка</b>	<b>106</b>
<b>5. Техническое обслуживание</b>	<b>115</b>
<b>6. Поиск и устранение неисправностей</b>	<b>123</b>
<b>7. Запасные части</b>	<b>128</b>



## **ВНИМАНИЕ!**

**ПЕРЕД НАЧАЛОМ РАБОТЫ НЕОБХОДИМО ПРОЧИТАТЬ И ПОЛНОСТЬЮ ПОНЯТЬ ДАННОЕ РУКОВОДСТВО.**

**ПРИВЕДЕННАЯ НИЖЕ ИНФОРМАЦИЯ ВАЖНА ДЛЯ БЕЗОПАСНОСТИ ЗДОРОВЬЯ ОПЕРАТОРА И ПЕРСОНАЛА, НАХОДЯЩЕГОСЯ В НЕПОСРЕДСТВЕННОЙ БЛИЗОСТИ.**



## **ВНИМАНИЕ!**

**ПРИ ПОКУПКЕ КАБИНЫ ТРЕБУЙТЕ ПРАВИЛЬНОГО ЗАПОЛНЕНИЯ ГАРАНТИЙНОГО ТАЛОНА!**

**БЕЗ ПРЕДЪЯВЛЕНИЯ ЗАПОЛНЕННОГО БЛАНКА ГАРАНТИЙНОГО ТАЛОНА ГАРАНТИЯ НЕДЕЙСТВИТЕЛЬНА.**

# 1. Техника безопасности



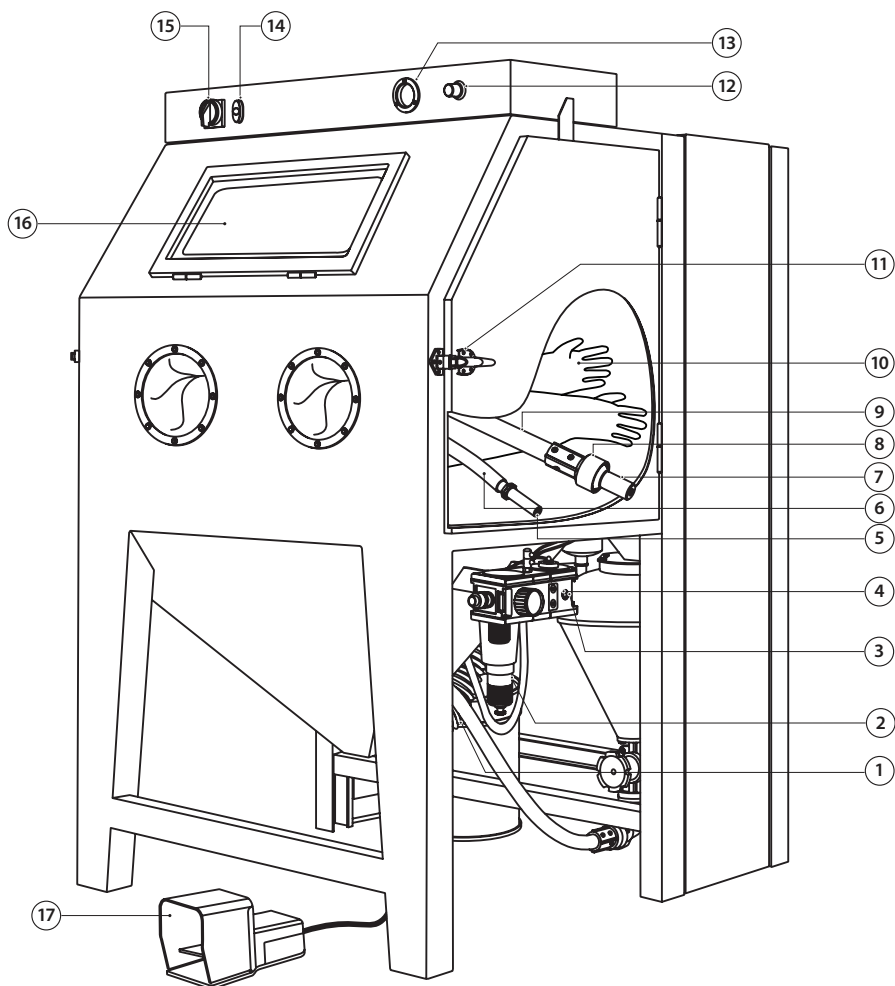
## **ВНИМАНИЕ!**

### **МЕРЫ БЕЗОПАСНОСТИ ПРИ ЭКСПЛУАТАЦИИ АБРАЗИВОСТРУЙНЫХ КАБИН.**

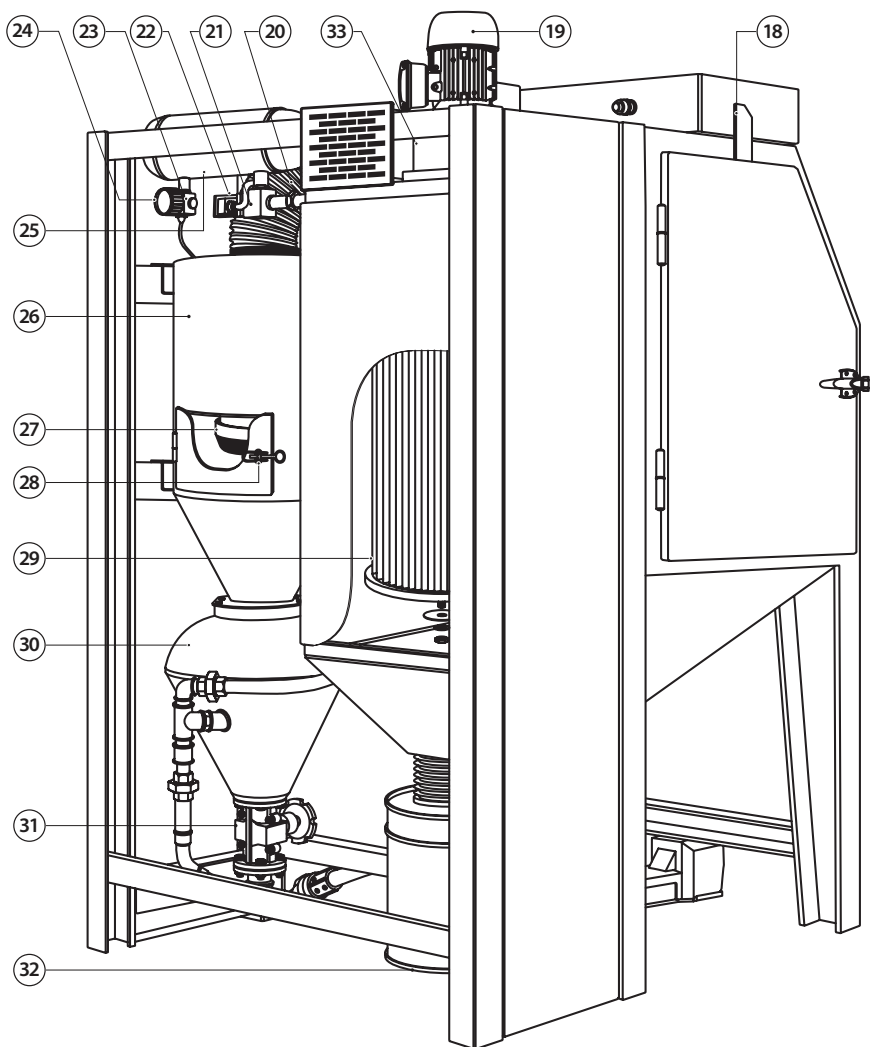
- 1. При абразивоструйной обработке необходимо надевать защитные перчатки.**
- 2. Недопустимо использовать при эксплуатации изношенное и неисправное оборудование/средства защиты.**
- 3. Необходимо направлять сопло только на очищаемую поверхность. Недопустимо направлять сопло на окна кабины.**
- 4. Необходимо использовать только сухие, хорошо просеянные абразивы, пригодные для операций абразивоструйной обработки.**
- 5. Перед началом работы абразивоструйной кабины необходимо:**
  - Убедиться, что перчатки, прокладки, шланги и фитинги не изношены;**
  - При использовании соединительных муфт шлангов закрепить их страховочными тросиками;**
  - Убедиться, что кабина заземлена;**
- 6. Во время абразивоструйной обработки все двери кабины, регенератор и пылесборник должны быть закрыты.**
- 7. После абразивоструйной обработки перед открыванием дверей и отключением вытяжного вентилятора с помощью воздушного сопла сдуть абразив с очищенных деталей.**
- 8. Запрещается открывать двери или отключать вытяжной вентилятор до удаления из кабины абразивной пыли.**



## 2. Комплектация и описание кабины



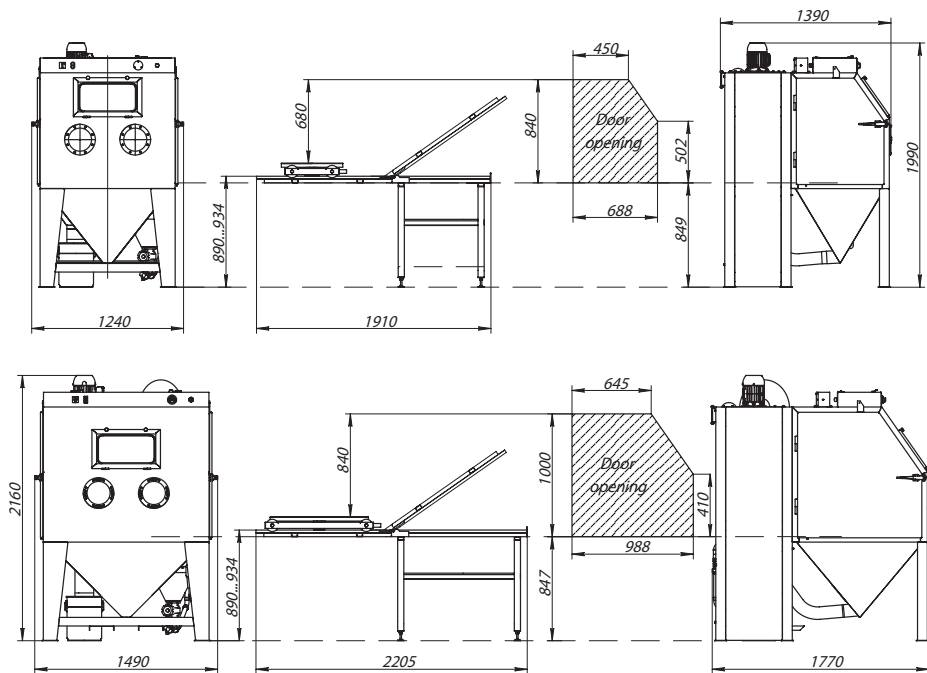
**Рис. 2.0.1.** Общий вид кабины CAB-110P/135P спереди



**Рис. 2.0.2.** Общий вид кабины САВ-110Р/135Р сзади

№ поз.	Описание
1	Рукав всасывающий Ø 100
2	Фильтр основной линии
3	Клапан редуционный

4	Манометр
5	Обдувочное сопло, резина
6	Рукав резиновый на обдувочное сопло
7	Сопло пескоструйное
8	Соплодержатель
9	Рукав пескоструйный 19 мм
10	RGS Перчатки
11	Ручка дверцы кабины
12	Регулятор рабочего давления
13	Манометр панельный
14	Двойная кнопка ВКЛ. / ВЫКЛ.
15	Входной рубильник 0-I
16	Окно кабины (сборка)
17	Педаля пневматическая
18	Пневматический концевой выключатель
19	Электродвигатель
20	Рукав вентиляционный Ø 150
21	Импульсный пневмоклапан
22	Таймер управления имп. пневмоклапаном
23	Регулятор давления линии очистки выходного воздушного фильтра
24	Манометр
25	Ресивер импульсной очистки фильтра
26	Циклонный сепаратор R-350 / R-400
27	Сито
28	Защелка дверь циклона
29	Фильтр патронный
30	Аппарат пескоструйный 25/50 литров
31	Дозатор SGV
32	Сборник пыли
33	Лопатка вентилятора DC-1100/DC-1500



**Рис. 2.0.3.** Габаритные размеры кабины САВ-110Р/135Р

## 2.1. Комплект поставки

Табл. 2.1

Код заказа	Модель	Описание, упаковка
10215205	CAB-110P	<p>АБРАЗИВОСТРУЙНАЯ КАБИНА, В ЦЕЛОМ, ВКЛЮЧАЕТ:</p> <ul style="list-style-type: none"> <li>- Корпус кабины</li> <li>- Циклонный сепаратор R-350</li> <li>- Аппарат абразивоструйный, 25 л</li> <li>- Фильтр-камера DC-1100 с фильтр-патроном (см. табл. 2.2)</li> </ul> <p>СТАНДАРТНАЯ ПОСТАВКА:</p> <ul style="list-style-type: none"> <li>- RGS Перчатки 800 мм для пескоструйной обработки с внутренней подкладкой из ткани</li> <li>- ExtraBlast-19, Рукав абразивоструйный 19 x33 мм / Соплодержатель,</li> <li>- Сопло STC-6,5 из карбида вольфрама</li> <li>- SGV дозатор абразива</li> <li>- Фильтр основной линии с тонкостью фильтрации 5 мкм</li> <li>- Регулятор рабочего давления</li> <li>- Пневматические концевые выключатели</li> <li>- Электрическое подключение 1,10 кВт, 380 В, 3 фазы, 50 Гц</li> </ul> <p>Размер рабочей камеры (Ш x Г x В) 1100 x 800 x 840 мм          Масса, 380 кг          Шумовое давление, 80 .. 120 дБ          Масса детали, макс 350 кг</p>
10215206	CAB-135P	<p>АБРАЗИВОСТРУЙНАЯ КАБИНА, В ЦЕЛОМ, ВКЛЮЧАЕТ:</p> <ul style="list-style-type: none"> <li>- Корпус кабины</li> <li>- Циклонный сепаратор R-400</li> <li>- Аппарат абразивоструйный, 50 л</li> <li>- Фильтр-камера DC-1500 с фильтр-патроном (см. табл. 2.2)</li> </ul> <p>СТАНДАРТНАЯ ПОСТАВКА:</p> <ul style="list-style-type: none"> <li>- RGS Перчатки 800 мм для пескоструйной обработки с внутренней подкладкой из ткани</li> <li>- ExtraBlast-19, Рукав абразивоструйный 19 x33 мм / Соплодержатель,</li> <li>- Сопло STC-6,5 из карбида вольфрама</li> <li>- SGV дозатор абразива</li> <li>- Фильтр основной линии с тонкостью фильтрации 5 мкм</li> <li>- Регулятор рабочего давления</li> <li>- Пневматические концевые выключатели</li> <li>- Электрическое подключение 1,50 кВт, 380 В, 3 фазы, 50 Гц</li> </ul> <p>Размер рабочей камеры (Ш x Г x В) 1350 x 1100 x 1070 мм          Масса, 480 кг          Шумовое давление, 80 .. 120 дБ          Масса детали, макс 350 кг</p>

**Табл. 2.2**

	Материал фильтра	Площадь фильтра, м <sup>2</sup>	Мощность вентилятора, кВт	Производительность вентилятора, м <sup>3</sup> /ч	Давление, Па
САВ-110	полиэстер	7,5	1,1	1050	1950
САВ-135	полиэстер	11	1,5	1150	2250

## **3. Общие сведения**

### **3.1. Общие сведения**

Абразивоструйная кабина Контракор обеспечивает условия для эффективной абразивоструйной обработки при поддержании чистоты окружающей рабочей зоны.

Производительность абразивоструйных кабин зависит от размера сопла, мощности компрессора, рабочего давления, типа и размера абразива и расстояния от сопла до очищаемой поверхности. Абразивоструйные кабины напорного типа включают четыре модуля:

1. Прочный корпус кабины, сваренный из стали.
2. Циклонный сепаратор, обеспечивающий максимальную эффективность регулируемой регенерации абразива.
3. Абразивоструйный аппарат ёмкостью 25 или 50 литров, оснащён дозатором SGV
4. Фильтр-камеру с высокоэффективным вентилятором, со сменным фильтропатроном и импульсной очисткой.

## 3.2. Принцип действия

При включенной подаче воздуха и закрытых дверях абразивоструйной кабины процесс очистки может быть запущен нажатием педали. При нажатии на педаль абразивоструйный аппарат герметизируется и абразивовоздушная смесь поступает по рукаву к соплу.

После соударения с очищаемой поверхностью абразив, вместе с мелкими частицами с этой поверхности, пылью и другими побочными продуктами, образующимися при абразивоструйной обработке, падают через сито в бункер кабины. Эта смесь далее поступает в сепаратор для отделения.

Пыль и мелкие частицы сначала отделяются от допускаящего многократное использование абразива. Затем абразив просеивается, отделяясь от излишне крупных частиц и поступает в бункер сепаратора для повторного использования.

Одновременно пыль и мелкие частицы прогоняются через сухой фильтр фильтр-камеры, улавливающей пыль и выпускающей очищенный воздух в атмосферу.

При отжати педали абразивоструйный аппарат прекращает работу и разгерметизируется. Скопившийся в регенераторе абразив засыпается внутрь аппарата..

Фильтр-патрон фильтр-камеры очищается импульсами сжатого воздуха, поступающего с большой скоростью и расширяющегося на внутренней поверхности картриджа. Электронный таймер контролирует временные интервалы между импульсами. Расширяющийся воздух на короткое время меняет направление воздуха через фильтр-патрон для стряхивания пыли, накопленной на внешней поверхности. Частицы пыли отделяются от фильтр-патрон и падают в пылесборник для последующей утилизации.

### 3.3. Диаметр форсунок и сопел, необходимый объем сжатого воздуха

Абразивоструйный аппарат произведен в соответствии с европейским стандартом CE, о чем говорит нанесенное обозначение. Требование CE гарантирует определенные характеристики которые требуются в некоторых странах.



#### **ВНИМАНИЕ!**

**Высокое давление может привести к разрушению бака пескоструйного аппарата. Для избежания аварийных ситуаций могущих повлечь за собой серьезные или фатальные травмы, не превышайте указанное на баке аппарата максимальное рабочее давление.**

Когда к кабине подведен сжатый воздух и двери закрыты, возможно включение системы педалью. При нажатии на педаль происходит открытие нормальнозакрытого впускного клапана и закрытие нормальнооткрытого выпускного клапана. Поступающий воздух герметизирует абразивоструйный аппарат и начинается процесс очистки. При отжати педали очистка прекращается и происходит разгрузка абразивоструйного аппарата.

В стандартной комплектации поставляется сопло из карбида вольфрама с диаметром отверстия 6,5 мм. Сопла диаметром 5,0 и 8,0 мм можно заказать отдельно. Уточните какой максимальный размер сопла возможно использовать с Вашим регенератором при нормальных условиях работы, см.таблицу 3.1. Под нормальными условиями работы понимается умеренное загрязнение фильтрпатрона, правильно отрегулированная воздушная заслонка (демпфер), чистый абразив.



## 3.4. Абразив

Табл. 3.1 Макс. диаметр сопла

Тип циклонного сепаратора	Макс. диаметр сопла, мм
R-350	6,5
R-400	8,0

В кабинах компании Контракор используются наиболее распространенные абразивы, 1,50 мм и грубее, специально выпускаемые для сухой абразивоструйной обработки. Используемый размер абразива (меш) и размер сопла должны обеспечивать равномерное истечение абразива. При низком рабочем давлении воздуха необходимо использовать мелкий абразив и сопло маленького диаметра.

**Стальной абразив:** : Использование стальной крошки или дробы в кабинах CAB-110P и CAB-135P возможно с ограничениями по фракции (макс. диаметр зерна около 0,80 мм). Точный размер максимальной возможной фракции зависит от удельного веса и формы зерна абразива и должен быть определен пользователем в результате практического тестирования. Для защиты стенок кабины от быстрого износа должен применяться комплект для облицовки резиновый защитный.

**Песок и шлак:** Недопустимо использовать песок, так как он образует крайне легкий диоксид кремния и поэтому опасен для органов дыхания. Применять шлак не рекомендуется, так как он быстро разрушается.



### ВНИМАНИЕ!

**Абразивная обработка песком, содержащим кварц, может вызвать серьезные или фатальные респираторные заболевания.**

**Оксид алюминия, двуокись кремния и гранит:** Подобные агрессивные материалы могут применяться, но следует учитывать ускоренный износ всех деталей кабины, регенератора, сопла и шлангов, находящихся в контакте с таким материалом. В случае применения агрессивного абразива необходимо использовать сопло из карбида вольфрама.

**Стеклянная дробь:** Дробь обычно обработана для обеспечения беспрепятственной эксплуатации даже при сравнительно высокой влажности. Стеклянная дробь, подвергшаяся действию избытка влаги, может быть многократно использована после тщательной сушки и полного разрушения образовавшихся комков.

## 3.5. Качество сжатого воздуха

Воздушный фильтр и на входе воздуха удаляет сконденсированную влагу из сжатого воздуха. Его применение особенно важно в зонах высокой влажности или при использовании мелкого абразива. Влага вызывает образование комков абразива и препятствует свободному истечению через дозатор. При появлении проблемы наличия влаги может потребоваться устройство осушения воздуха.

## 3.6. Требования к сжатому воздуху

Производительность компрессора под абразивоструйную кабину подбирается исходя из размера применяемого абразивоструйного сопла.

**Табл. 3.2** Требуемый объём сжатого воздуха

Ø абразиво- струйного сопла (мм)	ТРЕБУЕМЫЙ ОБЪЕМ ВОЗДУХА (м <sup>3</sup> /мин.) при рабочем давлении, бар			
	3	4	5	6
5,0	0,7	0,8	0,9	1,0
6,5	1,3	1,5	1,7	1,9
8,0	2,0	2,5	2,0	3,3

**ПРИМЕЧАНИЕ:** Указанная в таблице производительность не учитывает потребление воздуха на очистку фильтратрона и другие расходы. Это необходимо учесть суммируя потребление воздуха системой.

В таблице указан расход воздуха при новом сопле, в изношенном сопле фактический расход воздуха может быть на 70-80% больше.

# 4. Наладка, эксплуатация и остановка

## 4.1. Установка и наладка

### 4.1.1 Место установки

Следует выбрать место установки, в котором имеется сжатый воздух, вода и электропитание. Следует обеспечить свободный доступ ко всем дверям и зонам обслуживания, а также удобство работы с крупными деталями.

#### 4.1.2 Линия подачи сжатого воздуха

Подсоединить входной патрубок кабины к магистрали сжатого воздуха рукавом с минимальным внутренним диаметром I.D. = 1". Для подсоединения следует использовать гибкий шланг с тем же минимальным внутренним диаметром, что и воздушная магистраль. Применение воздушной магистрали или шланга меньшего диаметра может снизить эффективность очистки.



### **ВНИМАНИЕ!**

**Необходимо убедиться, что вся трубопроводная арматура и крепеж шлангов плотно закреплены перед использованием пескоструйной кабины. Отсоединение шланга под давлением может привести к серьезным травмам.**

#### 4.1.3 Заземление

Следует заземлить кабину для предотвращения накопления статического электричества. Для заземления необходимо присоединить заземляющий провод к контакту для присоединения заземления слева сзади на нижней части кабины.

#### 4.1.4 Подключение электропитания



### **ВНИМАНИЕ!**

**Все работы с электричеством должны выполняться квалифицированным электриком в соответствии с государственными и местными стандартами.**

Схема соединений входит в комплект поставки кабины. После подключения необходимо проверить направление вращения двигателя, кратковременно включив и выключив выключатель. Вентилятор двигателя должен вращаться по часовой стрелке, если смотреть на двигатель со стороны крыльчатки принудительного охлаждения.



### **ВНИМАНИЕ!**

**Запрещается смотреть в выходное отверстие вытяжного вентилятора регенератора при вращении вытяжного вентилятора. Частицы, вылетающие из вытяжного вентилятора, могут вызвать травму глаз и лица.**

#### 4.1.5 Статическое разряжение кабины

Необходимо установить статическое разряжение кабины с учетом размеров кабины и регенератора. Для снижения статического разряжения следует дополнительно открыть выпускную заслонку, а для увеличения – закрыть.

Перчатки можно использовать как индикатор необходимого статического разряжения кабины. При включенном вытяжном вентиляторе перчатки должны быть надуты, но не подняты над решеткой.

#### 4.1.6 Педаль

Установить педаль на полу перед кабиной для обеспечения удобного доступа. Абразивоструйная кабина предназначена для использования одним оператором. Следует убедиться, что в случае чрезвычайной ситуации можно быстро убрать ногу с педали.

## 4.2. Операция абразивно-струйной обработки

#### 4.2.1 Загрузка абразива

При выключенном вытяжном вентиляторе добавить чистый сухой абразив, насыпая его через дверцу регенератора в его бункер. Не допускается наполнять бункер выше конуса регенератора.

**Запрещается насыпать материал непосредственно в бункер кабины, так как может произойти его переполнение.** Переполнение приводит к выбросу материала в пылесборник и может вызвать закупоривание подающего рукава.

Засыпку следует выполнять после того, как весь материал из кабины регенерирован.

**Табл. 4.1** Минимальное количество абразива для засыпки в систему

САВ-110Р	САВ-135Р
20 kg	40 kg

#### 4.2.2 Выгрузка абразива

Для выгрузки абразива из кабины, установите рабочее давление воздуха на 3 бара.

Установите в рабочую зону пустую емкость. Снимите абразивоструйное сопло. Поместите конец абразивоструйного рукава в емкость, закройте двери, закройте заслонку (демпфер) и нажмите на педаль.

Абразив должен стечь в емкость. Не допускайте переполнения емкости и не собирайте в емкость очень много абразива, он тяжелый. Тяжелую емкость проблематично извлекать из кабины. За один или несколько приемов выгрузите весь абразив.

Полностью откройте заслонку (демпфер). Проведите осмотр состояния резьбы соплодержателя и абразивоструйного сопла. В случае сильного износа замените деталь. При отсутствии износа прикрутите абразивоструйное сопло.

#### **4.2.3 Загрузка и выгрузка деталей**

Детали могут загружаться и выгружаться через любую дверь.

Очищаемые детали должны быть очищены от масла, воды, жира или других загрязняющих веществ, которые будут загрязнять абразив или фильтры.

При закрывании дверей необходимо убедиться, что дверь надежно герметизирована, в противном случае система контроля дверей блокирует обработку.

#### **4.2.4 Операция абразивно-струйной обработки**



### **ВНИМАНИЕ!**

**Перед очисткой необходимо закрыть двери кабины, регенератора и пылесборника. Во время обработки все двери должны быть закрыты.**

**Необходимо постоянно использовать перчатки для абразивоструйной обработки.**

**Не следует направлять абразивоструйное сопло на смотровое окно.**

**Перед открыванием дверей с помощью обдувочного сопла следует сдуть абразив с очищаемых деталей.**

**После абразивоструйной обработки двери следует держать закрытыми, а вытяжной вентилятор включенным до тех пор, пока кабина полностью не очистится от пыли, находящейся в воздухе.**

**При обнаружении утечек пыли необходимо немедленно прекратить очистку.**

Включить подачу сжатого воздуха в абразивоструйную кабину. На начальном этапе убедиться в отсутствии утечек воздуха.

Установить регулятор импульсного давления на 4,5 бар (расположение указано на рис. 3).

Установить переключатель включения/выключения в положение “I” для включения освещения и импульсной очистки фильтра.

Нажать кнопку ON (ВКЛ.) для включения вытяжного вентилятора.

Вставить руки в резиновые перчатки. Плотнo держа абразивоструйный пистолет, нажать на педаль. Начнется процесс очистки.

Отрегулировать давление очистки, используя регулятор, расположенный на панели управления. Индикатор давления на панели управления указывает фактическое значение давления очистки.

Наиболее эффективна обработка плавными непрерывными проходами. Расстояние от детали влияет на ширину полосы, охватываемую струей. Обычно сопло располагают на расстоянии приблизительно 70 - 150 мм от поверхности детали.



## **ВНИМАНИЕ!**

**Если из пылесборника выходит пыль, необходимо немедленно отключить кабину. Следует убедиться в том, что фильтры правильно установлены, не изношены и не повреждены. Продолжительное вдыхание любой пыли может привести к серьезному легочному заболеванию или летальному исходу. Непродолжительное глотание токсичной пыли, например, свинцовой, создает непосредственную угрозу здоровью. Токсичность и риск для здоровья зависят от пыли, возникающей при абразивоструйной очистке. Необходимо определить все вещества, удаляемые абразивоструйной очисткой и получить сертификат безопасности для абразива.**

При работе абразивоструйной кабины автоматически в соответствии с установками таймера происходит импульсная очистка фильтр-патрона фильтр-камеры. Установки таймера могут потребовать изменений с учетом условий эксплуатации и при длительных периодах очистки.

### **4.2.5 Приостановка операции струйной обработки и остановка.**

Для прекращения абразивоструйной очистки следует отпустить педаль.

Для удаления абразива с очищенных деталей следует использовать обдувочное

сопло. Перед открыванием двери и выгрузкой деталей следует дождаться очистки кабины от пыли, находящейся в воздухе.

Нажать кнопку OFF (ВЫКЛ.) для выключения вытяжного вентилятора.

Установить переключатель включения/выключения в положение “0” для выключения освещения и импульсной очистки фильтра. Отключить подачу сжатого воздуха в абразивоструйную кабину и опорожнить пылесборники.

## **4.3. Регулировка**

### **4.3.1 Давление очистки**

Регулятор давления, расположенный на панели управления кабины, позволяет пользователю регулировать давление абразиво-воздушной смеси в зависимости от условий работы.

Давление, подходящее для большинства случаев, составляет 5-6 бар. Более низкое давление может потребоваться для очистки хрупких или мягких, тонкостенных предметов или уменьшения разрушения абразива. Более высокое давление может потребоваться для удаления крепкодержащихся загрязнений, но оно повышает разрушение абразива.

Во всех случаях максимальная производительность достигается только при тщательном контроле давления.

Отрегулировать давление воздуха, поворачивая ручку регулятора, расположенную спереди на панели управления. Вытянуть ручку и повернуть по часовой стрелке для увеличения давления или против часовой стрелки для снижения давления. После задания рабочего давления, вдавить ручку для блокировки.

### **4.3.2 Изменение количества абразива подаваемого к соплу**

Количество подаваемого к соплу абразива регулируется дозатором расположенным в нижней части абразивоструйного аппарата. Закройте подачу абразива, вращая вентиль регулировки по часовой стрелке до упора. Произведите запуск на кабины на 30 секунд, для продувки рабочей линии. Регулируйте количество подаваемого абразива путем поворачивания вентиля против часовой стрелки, на ½ оборота и пробных пусков кабины до появления стабильного насыщенного абразивом факела. Производите

регулировку при смене, износе или добавлении абразива..

### 4.3.3 Статическое разряжение регенератора

Правильный выбор статического разряжения регенератора зависит от размера регенератора, а также от размера, веса и типа абразива. Отрегулировать статическое разряжение регенератора, открывая (ручка в горизонтальном положении) или закрывая (ручка в вертикальном положении) заслонку на входе в рабочую камеру.

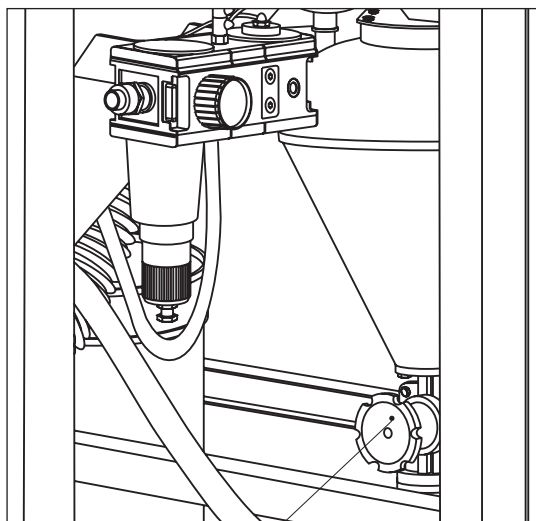
Если заслонка открыта недостаточно, регенератор не удаляет мелкие частицы, в результате чего увеличивается количество пыли в абразиве, ухудшается видимость и возрастает вероятность закупорки напорного абразивного рукава. Если заслонка открыта слишком сильно, возможен выброс (пригодный абразив поступает в пылесборник) и, как следствие, избыточное потребление абразива. Следует открывать заслонку так, чтобы обеспечить удаление пыли без выброса абразива.

### 4.3.4 Статическое разряжение кабины

После первоначальной регулировки в соответствии с разделом 4.1.5 статическое разряжение кабины редко требует повторной регулировки. Первоначальная регулировка обеспечивает приблизительно 50 - 75% статического разряжения в корпусе кабины. Для регулировки открыть внутреннюю заслонку сильнее, чтобы уменьшить статическое разряжение, или сильнее закрыть, чтобы увеличить разряжения.

Перчатки можно использовать как индикатор необходимого статического разряжения кабины. При включенном вытяжном вентиляторе перчатки должны быть надуты, но не подняты над решеткой.

**Рис.4.3.2.** Регулировка дозатора абразива



Регулировочный вентиль



### 4.3.5 Пневматические концевые выключатели

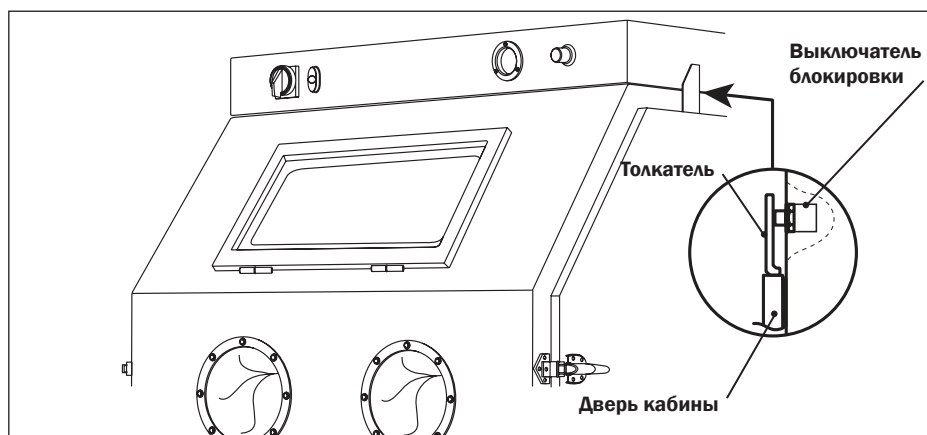
Пневматические концевые выключатели отключают схему управления абразивоструйной очисткой, если двери открыты. Для выполнения абразивоструйной очистки выключатели должны быть включены закрытыми дверями. Пневматические концевые выключатели настроены на заводе-изготовителе и обычно не требуют регулировки на месте эксплуатации кабины, за исключением случаев замены деталей.



## ВНИМАНИЕ!

**Категорически запрещается препятствовать работе системы блокировки. Невыполнение этого требования может привести к травме в результате неожиданного включения струи абразива.**

Для регулирования толкателя, необходимо руками согнуть его так, чтобы выключатель срабатывал при полностью закрытой двери (рис 4).



**Рис. 4.3.5.** Регулировка толкателя

Проверить работоспособность при открытой и закрытой двери. При проверке сопло направлять от двери, открывать дверь не больше, чем требуется для отключения концевого выключателя. Блокировки должны прекращать абразивоструйную очистку при открывании дверей и начинать ее выполнение при закрытых дверях.

**ПРИМЕЧАНИЕ!** Разряженное давление в кабине может вызвать деформацию дверей вовнутрь. Следует выполнять проверки при включенном вытяжном вентиляторе.

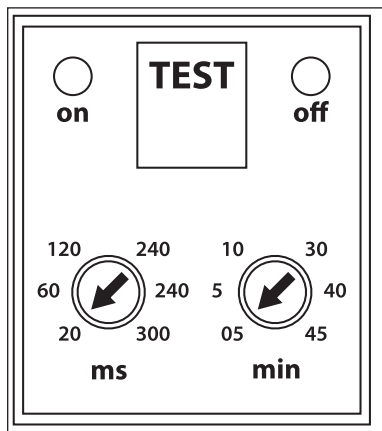
### 4.3.6 Давление импульса очистки фильтр-патрона

Отрегулировать давление импульса, используя регулятор, установленный на импульсном коллекторе. Начинать регулировку импульсного давления с 4,5 бар.

Если пульсация недостаточно очищает фильтр-патрон, увеличивать давление импульса интервалами по 0,5 бар до максимального значения 6,0 бар. Увеличение давления импульса более 6,0 бар может вызвать повреждение корпуса фильтра и самого фильтра.

Если после увеличения давления, осадок пыли на фильтр-патроне увеличивается, следует отрегулировать цикличность импульсов.

### 4.3.7 Таймер



**Рис. 4.3.7.** Регулировка длительности импульса и цикличность на таймере

Отрегулировать длительность импульса и цикличность на таймере (расположение см. на рис. 2). Для регулировки длительности импульсов следует использовать левую шкалу, а для регулировки интервала между импульсами правую шкалу.

Регулировку необходимо начинать в следующей последовательности:

Длительность импульсов

**левая шкала** - 60 мс (давление импульса 4,5 бар)

Интервал между импульсами

**правая шкала** - 5 мин.

# 5. Техническое обслуживание

## 5.1. Профилактическое обслуживание.

### 5.1.1 SGV дозирующий вентиль

SGV Дозирующий вентиль должен регулярно осматриваться на предмет износа. Для увеличения срока службы и предотвращения преждевременного выхода из строя вентиля, необходимо своевременно заменять резиновую втулку.

### 5.1.2 Пылесборник

Необходимо регулярно опорожнять пылесборник. Сначала следует проверять пылесборник не реже одного раза в день или при добавлении абразива, затем следует определить частоту проверок, учитывая интенсивность эксплуатации, загрязненность и стираемость абразива.

### 5.1.3 Сороудерживающее сито регенератора

Доступ к сити может осуществляться через дверцу регенератора. Необходимо при отключенном вытяжном вентиляторе извлекать сито и очищать его ежедневно или при загрузке абразива. Следует очищать сито чаще, если очищаемые детали дают большое количество крупных частиц. Запрещается эксплуатировать кабину, если сито не установлено на место.

### 5.1.4 Фильтр воздушной магистрали

Кабина оборудована ручным сливом конденсата из фильтра воздушной магистрали.

Сливать конденсат следует, по крайней мере, один раз в день (при необходимости чаще) или если на выходе сопла становится заметен водяной туман.

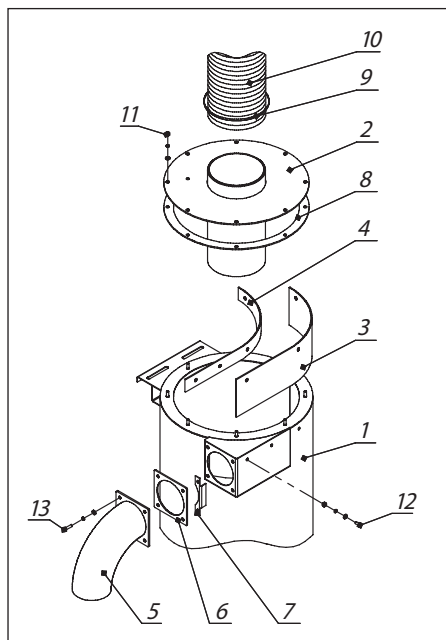
Влажный воздух мешает потоку абразива. Если удалить влагу не удастся, может потребоваться устройство осушения воздуха с охлаждением.

### 5.1.5 Рукав для абразива

Для исключения незапланированных остановок необходимо проверять рукав для абразива на отсутствие мест с истонченным материалом, особенно, на наружной поверхности.

### 5.1.6. Абразивоструйный рукав и соединения

Проверяйте абразивоструйный рукав на наличие изношенных участков, особое внимание уделяйте наружным участкам на изгибах, это позволит избежать непредвиденных перерывов в работе. Не забывайте следить за состоянием соединений и соплодержателей.



**Рис. 5.1.7.** Замена резиновой защиты циклонного сепаратора

### 5.1.7. Замена резиновой защиты циклонного сепаратора

Во избежание повреждения стенок циклонного сепаратора (1) частицами абразива на входе в него абразиво-воздушной смеси установлена резиновая защита (3). Необходимо регулярно проверять её на износ и повреждения. Ослабив хомут (9), отсоедините рукав (10) от фланца (2), открутите гайки (11) и снимите фланец (2) с сепаратора (1). Проверьте состояние резиновой защиты (3). Для замены защиты открутите болты (12) и (13), снимите защиту (3), планку (4), поднимите (7) и отвод (13). Соберите циклонный сепаратор в обратном порядке, при необходимости заменив прокладки (8) и (6).

## 5.2. Сервисное обслуживание

### 5.2.1 Перчатки

Для удобства работы оператора предусмотрены специальные перчатки, обеспечивающие удаление статического электричества. Эти перчатки необходимо периодически заменять по мере износа. Первым признаком износа перчаток могут служить чрезмерные удары статическим электричеством.

Перчатки удерживаются на месте металлическими хомутами изнутри кабины. Для замены следует ослабить хомуты с помощью отвертки, заменить перчатки и затянуть хомуты.

### 5.2.2 Сопло

Следует заменять сопло, если его диаметр увеличился максимум на 2 мм или раньше, если рабочее давление заметно уменьшилось.

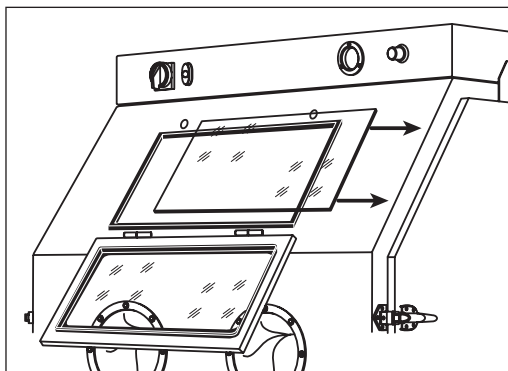
При замене сопла необходимо проверить уплотнитель в соплодержателе на износ и при необходимости заменить.

### 5.2.3 Замена сменного окна

Отвернуть два винта, расположенные на верхней кромке рамки окна, и откинуть ее.

Нажимая на сменное окно сзади через дверной проем извлечь его спереди.

**Рис. 5.2.3.** Замена внутреннего стекла



Проверить прокладки рамки окна на самой рамке и на кабине. Если какая-либо прокладка повреждена, выполнить замену в соответствии с разделом 5.2.5.

## 5.2.4 Замена смотрового окна



### **ВНИМАНИЕ!**

**Запрещается использовать для замены смотровых окон листовое стекло. Оно может разбиться при ударе и причинить серьезную травму.**

**Следует использовать только многослойное безопасное стекло, одобренное изготовителем.**

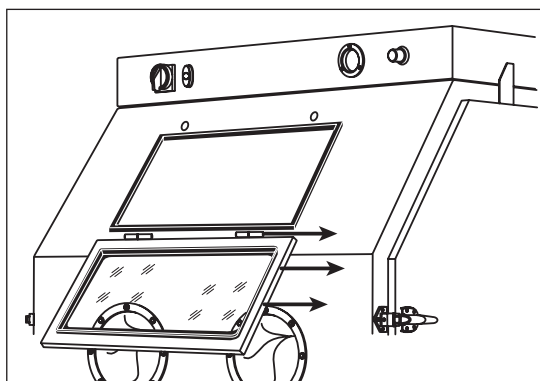
Открутить два винта, расположенные на верхней кромке рамки окна, и откинуть ее.

Снять с петель окно для предотвращения повреждения.

Качать рамку вверх и вниз до тех пор, пока не исчезнет сопротивление на петлях.

Сдвинуть раму вправо для разделения петель. Удалить старое окно, потянув за профиль.

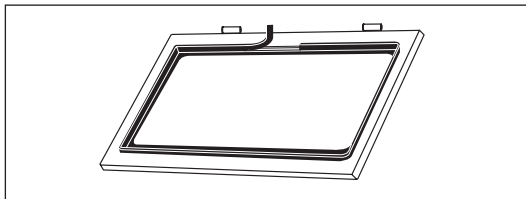
**Рис. 5.2.4.1.** Снятие окна



Вставить профиль окна в оконный проем, устанавливая его узкой щелью на металлическую кромку проема. Концы профиля должны соединяться в середине прямой части проема. Профиль необходимо сжать, чтобы его концы оказались плотно соединены.

Работая спереди, установить смотровое окно в широкую щель профиля.

**Рис. 5.2.4.2.** Замена внешнего стекла



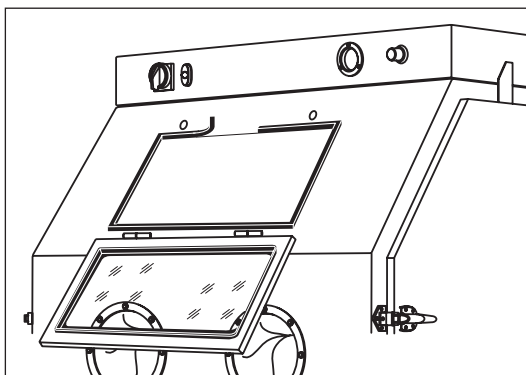
### 5.2.5 Замена прокладки окна

При первых признаках утечки абразивной пыли вокруг смотрового окна или если видны повреждения прокладок, необходимо заменять прокладку рамы окна и прокладку проема окна кабины.

При замене смотрового окна следует проверить прокладки. Смотровое окно и раму следует заменять в соответствии с указаниями в разделе 5.2.4. Полностью удалить материал старой прокладки и очистить поверхность кабины и рамы окна.

Снять защитное покрытие с небольшого участка клейкой основы прокладки толщиной 3 мм и приклеить прокладку к центру верхней кромки оконного проема, как показано на рис. 9. По мере необходимости снимая защитное покрытие с липкой основы, приклеить прокладку по всему периметру окна, включая угловые скругления, плотно прижимая прокладку для качественного склеивания. Обрезать прокладку по месту и сжать концы для герметизации.

**Рис. 5.2.5.** Замена прокладки окна



## 5.2.6 Замена картриджа фильтра



### ВНИМАНИЕ!

Невыполнение требования о средств индивидуальной защиты при обслуживании запыленных зон кабины и пылесборника, а также при опорожнении пылесборника может привести к серьезному раздражению глаз, заболеваниям легких или смертельному исходу.

Токсичность и риск для здоровья зависят от типа абразива и пыли, возникающей при струйной обработке.

Респиратор должен быть допущен к применению с соответствующим типом возникающей пыли.

Необходимо определить все материалы, удаляемые струйной очисткой и получить сертификат безопасности для абразива.

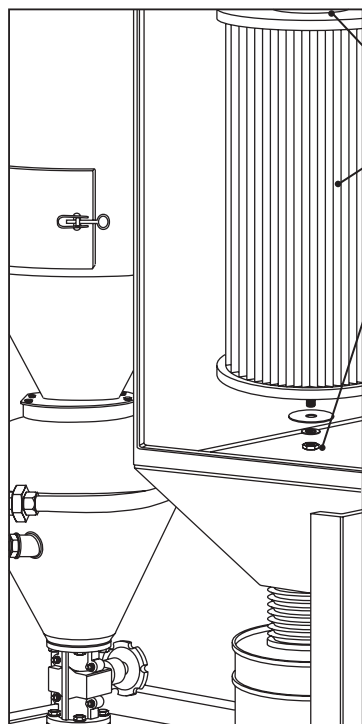


Рис. 5.2.6. Замена фильтр-патрона

Уплотняющая прокладка фильтр-патрона

Фильтр-патрон

Гайка крепления

Закрывать подачу воздуха в кабины и полностью стравить воздух из импульсного коллектора.

Открутить барашковые гайки и удалить дверь фильтр-камеры. Открутить гайку крепления фильтр-патрона, снять шайбу и прокладку.

Для удаления фильтр-патрона потянуть его прямо вниз до освобождения удерживающей планки.

Очистить все повторно используемые детали, особенно вокруг зоны герметизации фильтр-патрона. Полностью удалить остатки материала прокладки с уплотняемой поверхности.



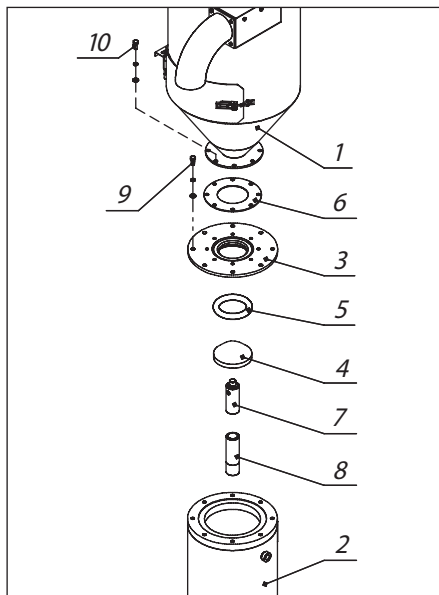
Установить новый фильтр-патрон и прокладку. Затягивать гайку крепления до тех пор, пока фильтр-патрон будет невозможно повернуть рукой. Затянуть гайку на один полный оборот дополнительно.

Проверить прокладку дверцы фильтр-камеры, убедиться в ее полной исправности и отсутствии препятствий для ее герметизации. При необходимости заменить прокладку. Установить дверцу фильтр-камеры на место. Выполнить приработку картриджа в соответствии с разделом 5.2.7.

### 5.2.7 Приработка фильтр-патрона

Новый фильтр-патрон должен пройти приработку. Фильтр-патроны прирабатывают, создавая осадок пыли на фильтрующем материале перед началом использования импульсов. Для отключения импульсов необходимо выключить регулятор импульсов (установить на 0 бар). Эксплуатировать кабину без импульсов приблизительно два часа или до уменьшения видимости, в зависимости от того, что произойдет раньше. Затем установить регулятор импульсов на 4,5 бар для запуска импульсов.

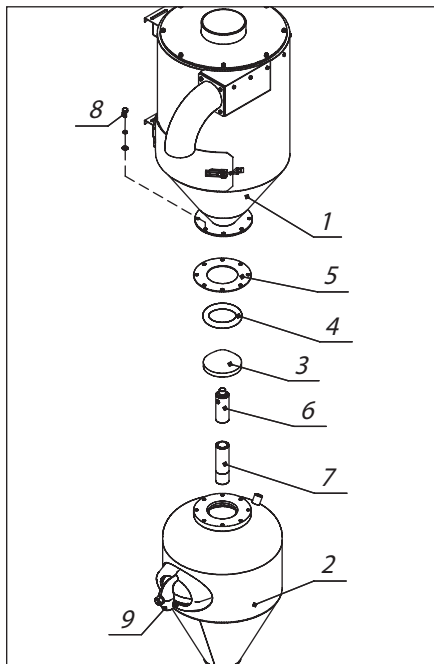
### 5.2.8 Замена герметизирующего клапана и седла CAB-110



**Рис. 5.2.8.** Замена герметизирующего клапана и седла CAB-110

Для замены резинового герметизирующего клапана (4) и резинового уплотнителя (5) необходимо отсоединить фланец абразивоструйного бака (3) от фланца циклонного сепаратора (1). Для этого выкрутите болты (10) и осторожно отсоедините бак (2) с фланцем (3) от сепаратора (1). Проверьте резиновый уплотнитель (5) на износ и повреждения. При необходимости замените его, используя для демонтажа изношенного уплотнителя плоскую отвертку. Выкрутите болты (9) и снимите фланец (3) с бака (2). Снимите клапан (4) и шток (7) с патрубком (8), затем открутите клапан (4) со штока (7). Накрутите на шток (7) новый клапан (4), соберите и установите бак в обратном порядке, при необходимости заменив прокладку (6).

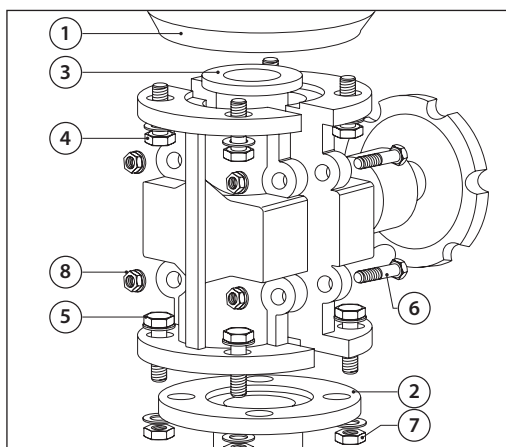
### 5.2.9 Замена герметизирующего клапана и седла CAB-135



**Рис. 5.2.9.** Замена герметизирующего клапана и седла CAB-135

Для замены резинового герметизирующего клапана (3) и резинового уплотнителя (4) необходимо отсоединить абразивоструйный бак (2) от циклонного сепаратора (1). Для этого выкрутите болты (8) и осторожно отсоедините бак (2) от сепаратора (1). Проверьте резиновый уплотнитель (4) на износ и повреждения. При необходимости замените его, используя для демонтажа изношенного уплотнителя плоскую отвертку. Открутите гайку технического лючка (9) и, придерживая крышку лючка за резьбовую часть, снимите крышку с лючка. Через технический лючок открутите патрубок (7) с надетыми на него штоком (6) и клапаном (3) и осторожно достаньте эти детали из бака (2). Открутите клапан (3) со штока (6). Накрутите на шток (6) новый клапан (3), соберите и установите бак в обратном порядке, при необходимости заменив прокладку (5).

### 5.2.10 Замена резиновой трубки дозатора SGV



Резиновая трубка в дозаторе SGV подвержена абразивному износу во время работы кабины. После некоторого времени эксплуатации кабины резиновая трубка должна быть заменена.

**Рис. 5.2.10.** Замена резиновой трубки дозатора SGV

Для замены трубки открутите болты (4) и отсоедините дозатор SGV от бака пескоструйного аппарата (1). Открутите гайки (7) от болтов (5) и отсоедините дозатор SGV от нижнего фланца. Открутите гайки (8) от болтов (6) и разомкните обе половины дозатора SGV. Вытащите старую резиновую трубку и замените её на новую. Соберите дозатор SGV и пескоструйный аппарат в обратном порядке.

## 6. Поиск и устранение неисправностей



### ВНИМАНИЕ!

Для исключения серьезных травм при поиске и устранении неисправности необходимо соблюдать следующие требования.

- Отключить воздух, заблокировать подачу воздуха и повесить на входной кран табличку.
- Если для проверки органов контроля необходим воздух, необходимо обязательно воспользоваться помощью другого лица для выполнения следующих действий:
  - Надежно удерживать сопло.
  - Нажимать на педаль.
  - Недопустимо ставить перемычку для шунтирования педали, блокировать ее в рабочем положении.
  - Недопустимо отключать систему блокировки дверей или иным способом препятствовать ее работе.

### 6.1. Плохая видимость

**6.1.1** Плохая видимость может быть обусловлена загрязнением фильтр-патрона. Необходимо регулярно опорожнять пылесборник. Необходимо проверять и при необходимости заменять фильтр-патрон.

**6.1.2** Вращение двигателя в обратном направлении. Двигатель должен вращаться в направлении, указанном стрелкой на корпусе. Если двигатель не вращается в нужном направлении, отключить источник электропитания и вывесить на нем табличку, подключить выводы двигателя, как показано на табличке двигателя.

**6.1.3** Применение слишком мелкого, изношенного или мягкого абразива, который быстро разрушается, может привести к плохой видимости.

**6.1.4** Заслонка впуска слишком сильно закрыта, ограничивая приток воздуха в кабину. Отрегулировать статическое разряжение в соответствии с разделом 4.3.4.

**6.1.5** Необходимо открыть заслонку впуска. Ограничение потока заслонкой впуска уменьшает движение воздуха в кабине. Открыть заслонку в соответствии с разделом 4.3.4.

**6.1.6** Вызванное износом отверстие в гибком шланге между бункером кабины и входом регенератора или выходом регенератора и входом фильтр-камеры. Заменить шланг и проложить его с минимально возможным количеством изгибов для предотвращения износа.

**6.1.7** Открыта дверца регенератора. При эксплуатации кабины дверца регенератора должна быть закрыта.

**6.1.8** Проверить гибкий шланг между бункером кабины и входом регенератора на отсутствие засорения.

## **6.2. Чрезмерно высокое потребление абразива**

**6.2.1** Открыта или находится не на месте дверца регенератора, плохо установлена или изношена прокладка. Проникновение воздуха в этом месте в регенератор вызывает движение абразива в пылесборник. ЗАПРЕЩАЕТСЯ работать с системой при открытой дверце.

**6.2.2** Вызванное износом отверстие в регенераторе, или утечка в швах регенератора. Следует полностью проверить регенератор на наличие негерметичностей с отрицательным давлением.

**6.2.3** Заслонка впуска открыта слишком сильно. Отрегулировать статическое разряжение в соответствии с указаниями в разделе 4.3.2.

**6.2.4** Применение слишком мелкого, изношенного или мягкого абразива, который быстро разрушается.

**6.2.5** Слишком высокое для применяемого абразива давление в сопле вызывает разрушение материала.

## **6.3. Снижение скорости абразивоструйной очистки**

**6.3.1** Низкий уровень абразива, что приводит к снижению его потока. Проверить уровень абразива и добавить, если он низок.

**6.3.2** Неправильная регулировка дозатора абразива. Отрегулировать в соответствии с указаниями в разделе 4.2.5.

**6.3.3** Сниженное давление воздуха. Может быть вызвано неисправностью регулятора, загрязненностью фильтр-патрона в фильтр-камере, частично закрытым воздушным клапаном, утечкой воздуховода или других используемых элементов пневматики.

**6.3.4** Закупоривание абразивного рукава или сопла. Закупоривание может произойти в результате отсутствия сороудерживающей решетки или неверной регулировкой дозатора абразива, что ведет к слишком сильному потоку абразива. Проверить регулировку дозатора абразива в соответствии с указаниями в разделе 4.3.2.

**6.3.5** Износ сопла. Проверить и заменить изношенное сопло.

**6.3.6** Износ абразивоструйного рукава. Проверить рукав на отсутствие разрывов и изношенных участков. Заменить в случае износа или повреждения.

**6.3.7** Влажный абразив. Множественные комки или закупорка абразива в области дозатора абразива могут быть вызваны влагой. См. раздел 5.1.4.

## **6.4. Забитое сопло**

**6.4.1** Повреждение или отсутствие сита регенератора ведет к прохождению больших частиц и забивке сопла. Заменить или переустановить при необходимости.

**6.4.2** Смесь слишком богата абразивом. Отрегулировать параметры воздушно-абразивной смеси в соответствии с указаниями в разделе 4.3.2.

## **6.5. Из сопла идет только воздух (абразив не поступает)**

**6.5.1** Проверьте что дозатор абразива SGV не перекрыт.

**6.5.3** Проверьте не засорен ли дозатор SGV. Для этого закройте заслонку, нажмите на педаль. Если положительный результат не достигнут, после сброса давления в абразивоструйном аппарате, произведите чистку дозатора от посторонних предметов через ревизионный лючок.

**6.5.4** Проверьте управляющие блоком запуска/остановки пневмошланги на наличие перегибов или утечек.

**6.5.5** Дозатор SGV вышел из строя. Обратитесь к пункту руководства в котором описан процесс ремонта дозатора.

## **6.6. Ни воздушнопесчаная смесь, ни отдельно воздух не идут из сопла**

**6.6.1** Сбросьте давление в абразивоструйном аппарате, визуально проверьте что абразивоструйное сопло не забито.

**6.6.2** Убедитесь, что после нажатия на медаль абразивоструйный аппарат герметизируется. Если герметизация не происходит, то следуйте согласно пункту 6.8.

**6.6.3** Проверьте что дозатор SGV и воздушный клапан открыты.

## **6.7. Абразивоструйная очистка не останавливается после отпускания педали**

**6.7.1** Трехпроходной клапан педали должен стравить воздух из управляющей пневмосистемы, когда педаль отпущена. Если этого не происходит проверьте линию и выключатель в педали.

## **6.8. Абразивоструйный аппарат не герметизируется**

**6.8.1** Проверьте что от компрессора поступает сжатый воздух и кран на пневмолинии открыт.

**6.8.2** Проверьте что редукционный клапан отрегулирован на слишком низкое давление. Минимальное давление 3 бара.

**6.8.3** Дверь не включает защитный концевой пневмовыключатель. Отрегулируйте дверь как описано в пункте 4.3.5.

**6.8.4** Проверьте диафрагму клапана сброса давления, на наличие износа.

**6.8.5** Проверьте ход герметизирующего клапана.

**6.8.6** Проверьте на наличие утечек управляющую пневмолинию.

**6.8.7** Проверьте трехходовой клапан педали.

**6.8.8** Убедитесь, что шланги подходящие к педали не перепутаны. См. схему подключения на рис. 7.2.1.

## **6.9. Не происходит отключение и разгерметизация абразивоструйного аппарата или происходит медленно**

**6.9.1** Проверьте что трехходовой клапан педали стравливает давление, после отжатия педали. Если этого не происходит замените педаль.

**6.9.2** Проверьте выходной рукав, который включает кабину и блокирует.

## **6.10. Пересыщенная абразивом смесь**

**6.10.1** Проверьте что на абразивоструйном аппарате открыт воздушный кран.

**6.10.2** Дозатор абразива может быть открыт слишком сильно. Следуйте пункту 4.3.2. Если дозатор не осуществляет регулировку количества абразива, опорожните от абразива кабину, сбросьте давление и проведите осмотр внутренних деталей дозатора

## **6.11. Пульсации абразивовоздушной смеси во время запуска кабины, являются нормальным явлением**

**6.11.1** Большая подача абразива. Следуйте пункту 6.10

**6.11.2** Опорожните от абразива кабину, сбросьте давление и проведите осмотр внутренних деталей дозатора.

## **6.12. Удары статическим электричеством**

**6.12.1** Кабина и/или оператор не заземлены. Абразивоструйная обработка вызывает накопление статического электричества. Для предотвращения этого кабина должна быть заземлена. См. раздел 4.1. Если удары повторяются, возможно, статическое электричество накапливается на операторе. Соединить оператора с кабиной коротким заземляющим проводом (таким, как заземляющий браслет/манжета для рук).

**6.12.2** Детали должны находиться в контакте с решеткой. Если статическое электричество не рассеивается в металлической кабине, оно накапливается в обрабатываемой детали.

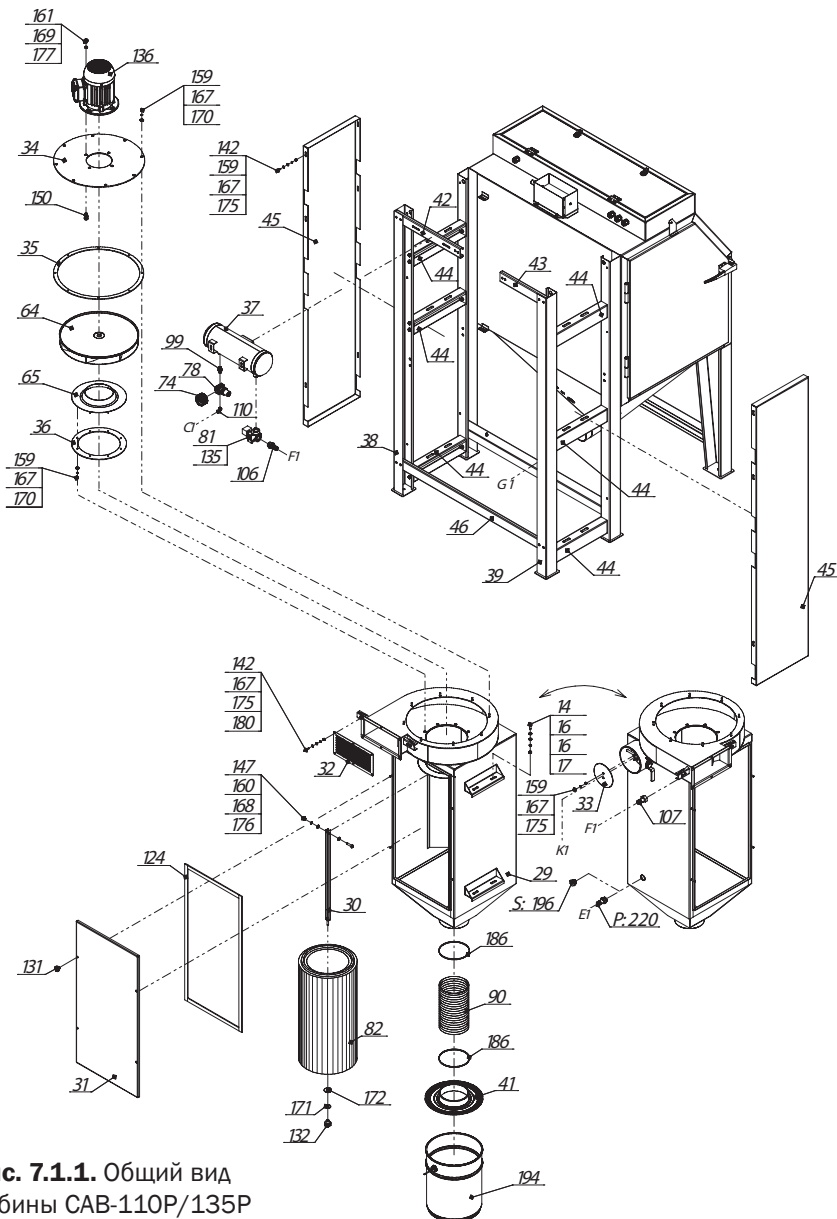
## **6.13. Утечка пыли из фильтр-камеры**

**6.13.1** Поврежден или плохо закреплен фильтр-патрон. Проверить фильтр-патрон в фильтр-камере.

**6.13.2** Неисправно уплотнение на дверце фильтр-камеры. Проверить уплотнение и при необходимости заменить.

# 7. Запасные части

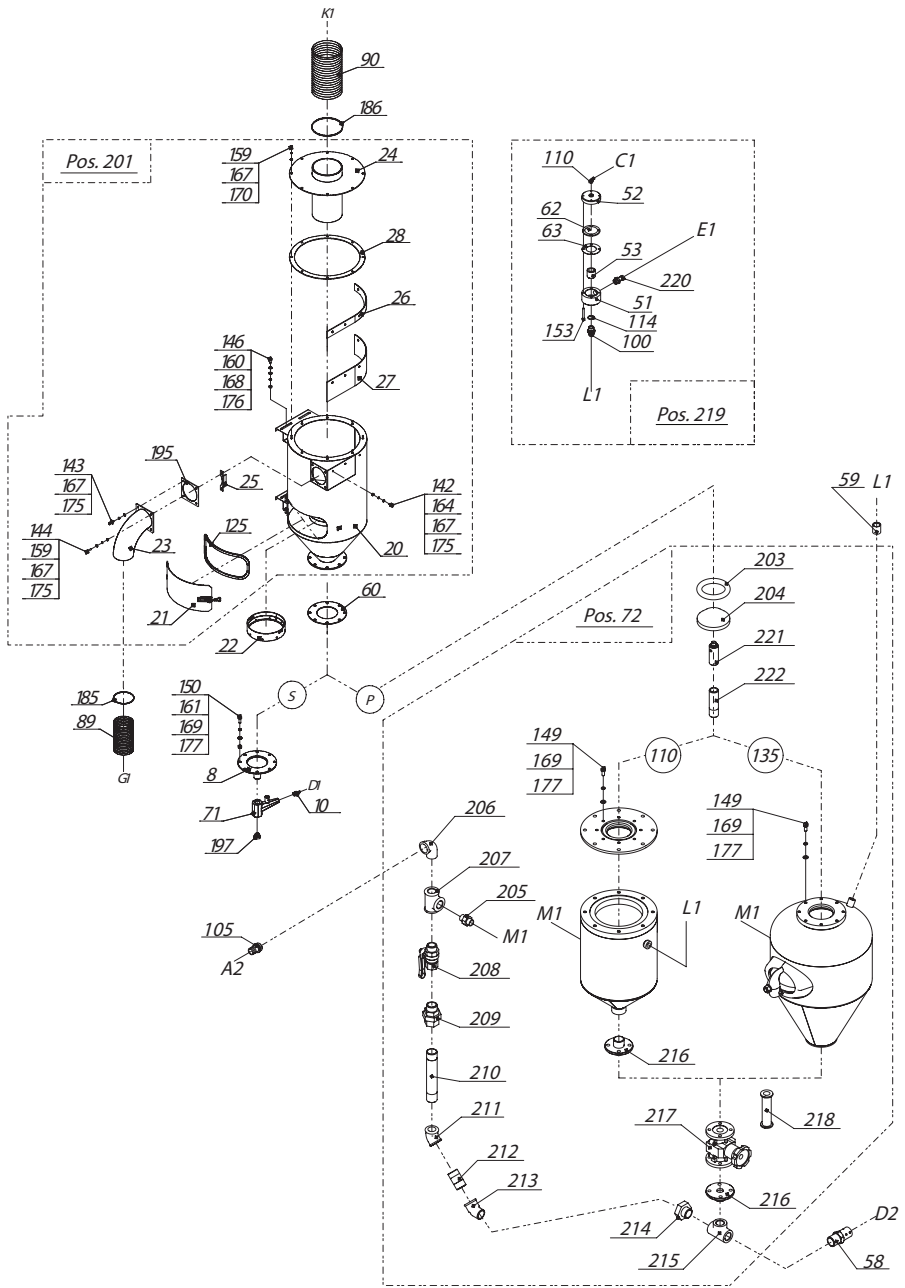
## 7.1. Спецификация кабины



**Рис. 7.1.1.** Общий вид кабины САВ-110Р/135Р







<b>HOSES</b>		
<b>Position</b>	<b>Hose</b>	<b>Bracket</b>
A1	88	183
A2	85	184
B1	87	182
C1	91	-
D1	86	183
D2	83	184
E1	84	184
F1	83	184
G1	89	185
K1	90	186

<b>№ поз.</b>	<b>Код заказа</b>	<b>Описание</b>	<b>110P</b>	<b>110PD</b>	<b>135P</b>	<b>135PD</b>
1	88000001	Кабина	1	1		
	88000002	Кабина			1	1
2	83900020	Рамка	1	1	1	1
3	83400012	Корпус	1	1		
	83400015	Корпус электротящика			1	1
4	83100024	Дверь	1	1		
	83100031	Дверь электротящика			1	1
5	86900008	Монтажная плата	1	1	1	1
6	80600030	Кронштейн лампы	2	2	2	2
7	82600003	Отражатель лампы	1	1	1	1
8	88700002	Конус				
9	83100025	Дверь глухая правая	1			
	83100033	Дверь правая			1	
10	83100044	Дверь глухая левая	1			
	83100032	Дверь левая			1	
11	82400036	Планка глухой двери	2			
	82400022	Планка защитная			2	
12	83100027	Дверь проходная правая		1		
	83100035	Дверь правая проходная				1
13	83100028	Дверь проходная левая		1		
	83100034	Дверь левая проходная				1
14	88100001	Шибер проходной двери		2		2
15	82600002	Отражатель-крепеж штор		2		2
16	84000002	Штора проходной двери		2		2
17	84000003	Штора проходной двери		2		2

№ поз.	Код заказа	Описание	110P	110PD	135P	135PD
18	82400021	Планка проходной двери		4		
	82400037	Планка				4
19	83100026	Дверь	1	1	1	1
20	83400013	Корпус циклона	1	1		
	83400016	Корпус циклона			1	1
21	83100029	Дверь	1	1		
	83100036	Дверь циклона			1	1
22	88200001	Сито	1	1	1	1
23	89900003	Отвод впускной	1	1	1	1
24	80500023	Фланец верхний	1	1		
	80500026	Фланец верхний циклона			1	1
25	81050001	Прижим	1	1	1	1
26	82400029	Планка прижимная	1	1		
	82400030	Планка прижимная			1	1
27	84000007	Штора	1	1		
	84000008	Штора			1	1
28	88500009	Прокладка фланцевая	1	1		
	88500010	Прокладка фланцевая			1	1
29	83400014	Корпус фильтр-камеры	1	1		
	83400017	Корпус фильтр-камеры			1	1
30	88300001	Штанга фильтр-камеры	1	1	1	1
31	83100030	Дверь фильтр-камеры	1	1		
	83100038	Дверь фильтр-камеры			1	1
32	86400004	Решетка	1	1		
	86400005	Решетка вентиляционная			1	1
33	88400001	Заслонка шибера фильтр-камеры	1	1	1	1
34	80500015	Фланец двигателя	1	1		
	80500016	Фланец двигателя			1	1
35	88500001	Прокладка	1	1		
	88500004	Прокладка фланцевая			1	1
36	88500002	Прокладка	1	1		
	88500005	Прокладка внутренняя			1	1
37	88600001	Ресивер	1	1		
	88600002	Ресивер фильтр камеры			1	1
38	80300050	Опора левая	1	1		
	80300053	Стойка левая			1	1

№ поз.	Код заказа	Описание	110P	110PD	135P	135PD
39	80300051	Опора правая	1	1		
	80300052	Стойка правая			1	1
40	88100002	Шибер кабины	1	1	1	1
41	81600019	Патрубок ведра	1	1	1	1
42	81800004	Поперечина	1	1		
	81800009	Поперечина задняя левая			1	1
43	81800005	Поперечина малая	1	1		
	81800010	Поперечина задняя правая			1	1
44	81800006	Поперечина	6	6		
	81800008	Поперечина малая			6	6
45	81000109	Панель	2	2		
	81000110	Панель боковая			2	2
46	81800007	Поперечина	1	1		
	81800011	Поперечина задняя нижняя			1	1
47	88800001	Столешница	1	1		
	88800003	Столешница			1	1
48	88800002	Столешница	1	1		
	88800004	Столешница			1	1
49	88500003	Прокладка	2	2	2	2
50	88300002	Шланга			1	1
	88300014	Шланга	1	1		
51	83400025	Корпус	1	1	1	1
52	81100054	Крышка	1	1	1	1
53	10100001	Седло	1	1	1	1
55	22020001	Ключ	1	1	1	1
56	87100014	Сетка внутренняя	1	1	1	1
57	87100015	Сетка светильника	1	1	1	1
58	85800002	Фиксатор шланга	1	1	1	1
59	81230001	Муфта G3-4	1	1	1	1
60	88500007	Прокладка	1	1	1	1
61	10115605	Перчатки	1	1	1	1
62	29000028	Шайба резиновая	1	1	1	1
63	33140003	Лампа	2	2	2	2
	22010102	Вентилятор	1	1		
64	22010202	Вентилятор			1	1
	81220003	Сопло фильтр-камеры	1	1		
65	81220004	Сопло фильтр-камеры			1	1

№ поз.	Код заказа	Описание	110P	110PD	135P	135PD
66	10115901	Пистолет	1	1	1	1
67	10115300	Пистолет				
68	10115508	Сопло				
69	10112571	Сопло	1	1	1	1
70	10112200	Соплодержатель	1	1	1	1
71	10115920	Дозатор				
72	22040002	Бак пескоструйный	1	1		
	22040003	Бак пескоструйный			1	1
73	51202008	Манометр	1	1	1	1
74	10130404	Манометр	1	1	1	1
75	51202010	Манометр	1	1	1	1
76	51203002	Блок				
77	51203001	Блок	1	1	1	1
78	51201001	Регулятор	2	2	2	2
79	51203007	Пневмоконцевик	2	2	2	2
80	51203003	Педаль	1	1	1	1
81	51203004	Пневмоклапан	1	1	1	1
82	22070103	Фильтр	1	1		
	22070104	Фильтр			1	1
83	10112100	Рукав, 1м	3,2	3,2	3,6	3,6
84	10151002	Рукав, 1м	0,15	0,15	0,15	0,15
85	10151003	Рукав, 1м	1,05	1,05	1,3	1,3
86	41102004	Рукав, 1м				
87	10130900	Рукав, 1м	2	2	2,4	2,4
88	41200001	Рукав, 1м				
89	41101002	Рукав, 1м	1,6	1,6	2,1	2,1
90	41101003	Рукав, 1м	0,9	0,9	1	1
91	41101001	Рукав, 1м	11	11	14	14
92	51204001	Глушитель	2	2	2	2
93	51205003	Заглушка				
94	51100015	Фитинг	1	1	1	1
95	51100002	Коллектор				
96	51100001	Коллектор	1	1	1	1
97	52130003	Футорка	1	1	1	1
98	52130001	Футорка	1	1	1	1
99	51600001	Соединитель	1	1	1	1
100	51400011	Фитинг	1	1	1	1
101	51300002	Фитинг				

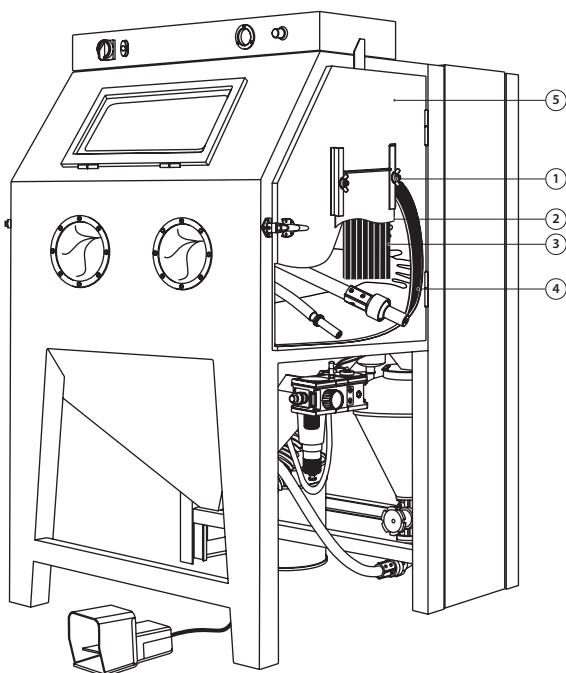
№ поз.	Код заказа	Описание	110P	110PD	135P	135PD
102	51300010	Фитинг				
103	51300007	Фитинг				
104	51300008	Фитинг				
105	51300001	Фитинг	3	3	3	3
106	51300006	Фитинг	2	2	2	2
107	51300005	Фитинг	1	1	1	1
108	51300004	Фитинг	1	1	1	1
109	51300009	Фитинг	1	1	1	1
110	51100004	Фитинг	4	4	4	4
111	51100003	Фитинг	2	2	2	2
112	51100005	Фитинг	5	5	5	5
113	51100006	Фитинг	1	1	1	1
114	67000008	Кольцо уплотнительное	1	1	1	1
115	90852088	Резиновый ввод	2	2	2	2
116	90855146	Резиновый ввод	2	2	2	2
117	90855156	Резиновый ввод				
118	90855166	Резиновый ввод				
119	90855176	Резиновый ввод	2	2	2	2
120	90855155	Заглушка	2	2	2	2
121	90855175	Заглушка				
122	90407002	Уплотнение	5,1	5,1	8	8
123	90407004	Уплотнение	7	7	5,38	5,38
124	90407005	Уплотнение	3	3	12,4	12,4
125	90401001	Уплотнение	0,9	0,9	1	1
126	90406001	Уплотнение	3,2	3,2	3,2	3,2
127	90202006	Петля	2	2	2	2
128	90204011	Ручка	2	2	2	2
129	22140004	Фланец	2	2	2	2
130	90204005	Ручка	2	6	2	6
131	90204006	Ручка	4	4	4	4
132	90204007	Ручка	1	1	1	1
133	32060001	Рубильник	1	1	1	1
134	33070001	Кнопка	1	1	1	1
135	32040001	Таймер	1	1	1	1
136	31120004	Электродвигатель	1	1		
	31120005	Электродвигатель			1	1
137	33270005	Вилка	1	1	1	1
138	33030002	Ввод пластиковый	3	3	3	3

№ поз.	Код заказа	Описание	110P	110PD	135P	135PD
139	33030012	Ввод пластиковый	1	1		
140	33030006	Ввод пластиковый			1	1
141	61110430	Болт	6	6	6	6
142	61110616	Болт	22	22	22	22
143	61110620	Болт	76	76	76	76
144	61110630	Болт	11	11	11	11
145	61110640	Болт	2	2	2	2
146	61110820	Болт	60	60	60	60
147	61110835	Болт	7	7	7	7
148	61110855	Болт	1	1	1	1
149	61111025	Болт	8	8	8	8
150	61111030	Болт	4	4	4	4
151	62310416	Винт	8	8	8	8
152	62310420	Винт	6	6	6	6
153	62110860	Винт	4	4	4	4
154	62310616	Винт	8	8	8	8
155	62510420	Винт	3	3	3	3
156	62804213	Винт	8	8	8	8
157	63110004	Гайка	25	25	25	25
158	63110005	Гайка	7	7	7	7
159	63110006	Гайка	65	65	65	65
160	63110008	Гайка	50	50	50	50
161	63110010	Гайка	8	8	16	16
162	63210006	Гайка	2	2	2	2
163	63210008	Гайка	1	1	1	1
164	63300006	Гайка	23	23	23	23
165	10115316	Шайба	12	12	12	12
166	64310005	Шайба				
167	64310006	Шайба	56	56	56	56
168	64310008	Шайба	50	50	50	50
169	64310010	Шайба	8	8	12	12
170	64210006	Шайба	39	39	39	39
171	64210008	Шайба	2	2	2	2
172	64210012	Шайба	1	1	1	1
173	64110004	Шайба	12	12	12	12
174	64110005	Шайба	7	7	7	7
175	64110006	Шайба	78	78	78	78
176	64110008	Шайба	111	111	111	111
177	64110010	Шайба	19	19	24	24
178	64400005	Шайба	6	6	6	6



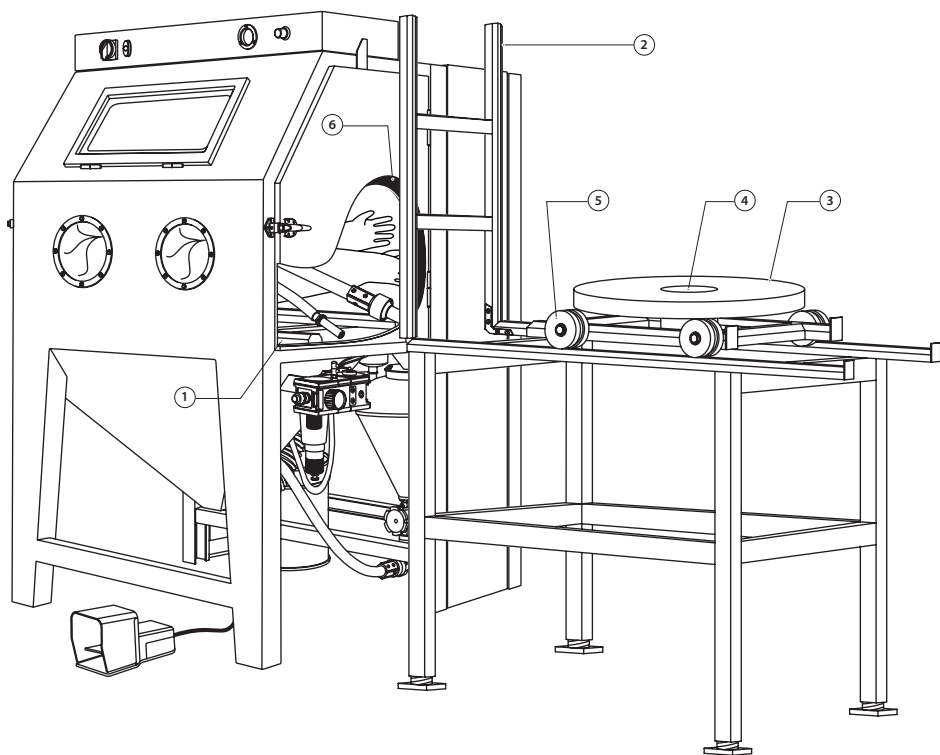
№ поз.	Код заказа	Описание	110P	110PD	135P	135PD
179	66010001	Заклепка	8	8	8	8
180	66010002	Заклепка	52	52	52	52
181	66010003	Заклепка	6	6	6	6
182	90100005	Хомут ленточный	2	2	2	2
183	90100006	Хомут ленточный				
184	90100007	Хомут ленточный	6	6	6	6
185	90100002	Хомут ленточный	2	2	2	2
186	90100001	Хомут ленточный	4	4	4	4
187	90100003	Хомут ленточный	2	2	2	2
188	90402001	Материал шумоизолирующий, 1м <sup>2</sup>	0,76	0,76	1,8	1,8
189	90201003	Замок	2	2	2	2
190	90204001	Ручка	2	2	2	2
191	22030001	Стекло	1	1	1	1
192	22030002	Стекло	1	1	1	1
193	22030003	Стекло	1	1	1	1
194	81240001	Ведро	1	1	1	1
195	88500008	Прокладка	1	1	1	1
196	52030001	Пробка				
197	52030002	Пробка				
198	10115810	Комплект для облицовки	1			
	10115811	Комплект для облицовки			1	
199	10115808	Комплект для облицовки		1		
	10115809	Комплект для облицовки				1
200	90204004	Ручка		8		8
201	10115817	Циклонный сепаратор	1	1		
	10115818	Циклонный сепаратор			1	1
202	10115801	Ком-кт проходных дверей		1		
	10115802	Ком-кт проходных дверей				1
203	10110950	Седло	1	1	1	1
204	10110960	Уплотнитель	1	1	1	1
205	10110939	Ниппель	1	1	1	1
206	10110941	Угольник	1	1	1	1
207	10115319	Тройник	1	1	1	1
208	10110938	Кран шаровый	1	1	1	1
209	10115320	Муфта	1	1	1	1
210	10115321	Труба	1	1	1	1
211	10115322	Угольник	1	1	1	1
212	10115323	Труба	1	1	1	1
213	10115324	Угольник	1	1	1	1
214	10115325	Футорка	1	1	1	1

<b>№ поз.</b>	<b>Код заказа</b>	<b>Описание</b>	<b>110P</b>	<b>110PD</b>	<b>135P</b>	<b>135PD</b>
215	10110948	Тройник	1	1	1	1
216	10110949	Фланец резьбовой	2	2	1	1
217	10110860	Дозатор	1	1	1	1
218	10110947	Вставка резиновая	1	1	1	1
219	10115917	Разгрузочный клапан	1	1	1	1
220	85800006	Фиксатор шланга	2	2	2	2
221	10110955	Шток	1	1	1	1
222	73025120	Труба	1	1	1	1



**Рис. 7.1.2.** Специальная модель CAB-110PD / 135-PD

№ поз.	Код заказа	Описание	КОЛ-ВО
1	90204004	Ручка	8
2	88100001	Шибер проходной двери	2
3	82600002	Отражатель-крепеж штор	2
	84000002	Штора проходной двери	2
	84000003	Штора проходной двери	2
4	10115810	Комплект облицовки резиновый защитный для CAB-110	1
	10115811	Комплект облицовки резиновый защитный для CAB-135	1
5	10115801	Комплект проходных дверей	1
	10115802	Комплект проходных дверей	1

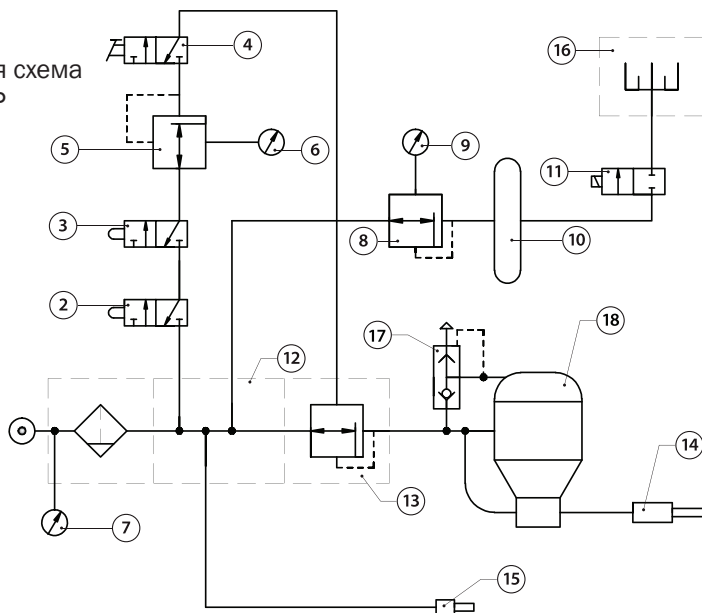


**Рис. 7.1.3.** Специальная модель CAB-110PT / 135-PT

№ поз.	Код заказа	Описание	КОЛ-ВО
1	10115705	Пути внутренние CAB-110	1
	10115706	Пути внутренние CAB-135	1
2	10115703	Пути наружные для стола Ø 500 мм	1
	10115704	Пути наружные для стола Ø 800 мм	1
3	10115707	Стол передвижной ручной поворотный Ø 500 мм	1
	10115708	Стол передвижной ручной поворотный Ø 800 мм	1
4	22090001	Подшипник корпусной, для TTS/TTM	1
	81160001	Ролик, для TTM	1
	22090002	Подшипник ролика для TTM	2
6	10115810	Комплект облицовки резиновый защитный для CAB-110	1
	10115811	Комплект облицовки резиновый защитный для CAB-135	1

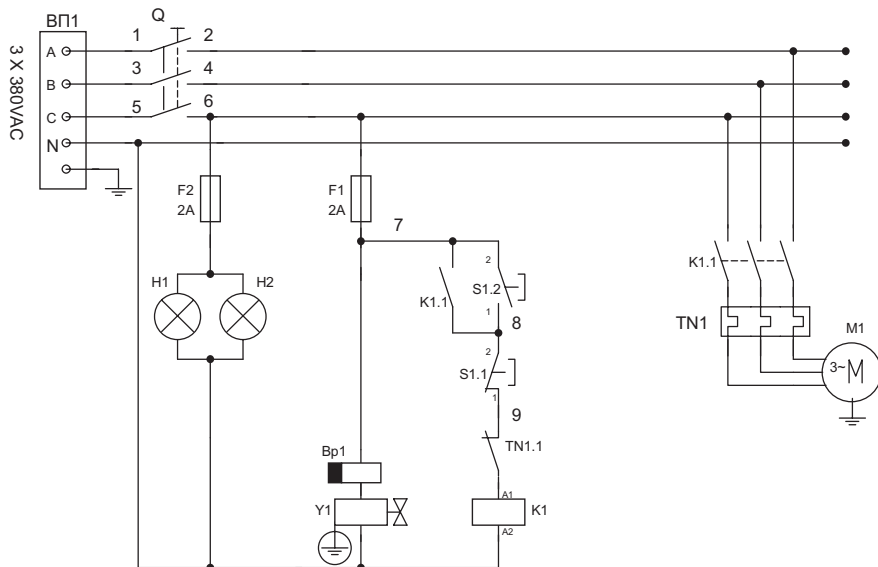
## 7.2. Пневматическая схема

**Рис. 7.2.**  
Пневматическая схема  
САВ-110P/ 135P



№ поз.	Код заказа	Описание
2	51203007	Пневмоконцевик
3	51203007	Пневмоконцевик
4	51203003	Педаля
5	51201001	Регулятор
6	51202010	Манометр
7	10130404	Манометр
8	51201001	Регулятор
9	51202008	Манометр
10	88600001	Ресивер
11	51203004	Пневмоклапан
12	51100001	Коллектор
13	51203001	Блок
14	10112571	Сопло
15	10115901	Пистолет
16	22070103	Фильтр
	22070104	Фильтр
17	10115917	Разгрузочный клапан
18	22040002	Бак абразивоструйный
	22040003	Бак абразивоструйный

### 7.3. Электрическая схема



**Рис. 7.3.** Электрическая схема САВ-110Р/ 135Р

Поз.	Код заказа	Описание
S1	33070001	Кнопка двойная ВКЛ. / ВЫКЛ.
HS	32060001	Выключатель ручной кулачковый
M	31120004	Электродвигатель 1,10 кВт
	31120005	Электродвигатель 1,50 кВт
K1.1	35010011	Контактор электромагнитный
H1	33140003	Светильник
Bp	32040001	Импульсное реле времени
Y1	51203004	Пневмоклапан импульсный
TN1	35020009	Термореле
F1	32080001	Предохранитель



